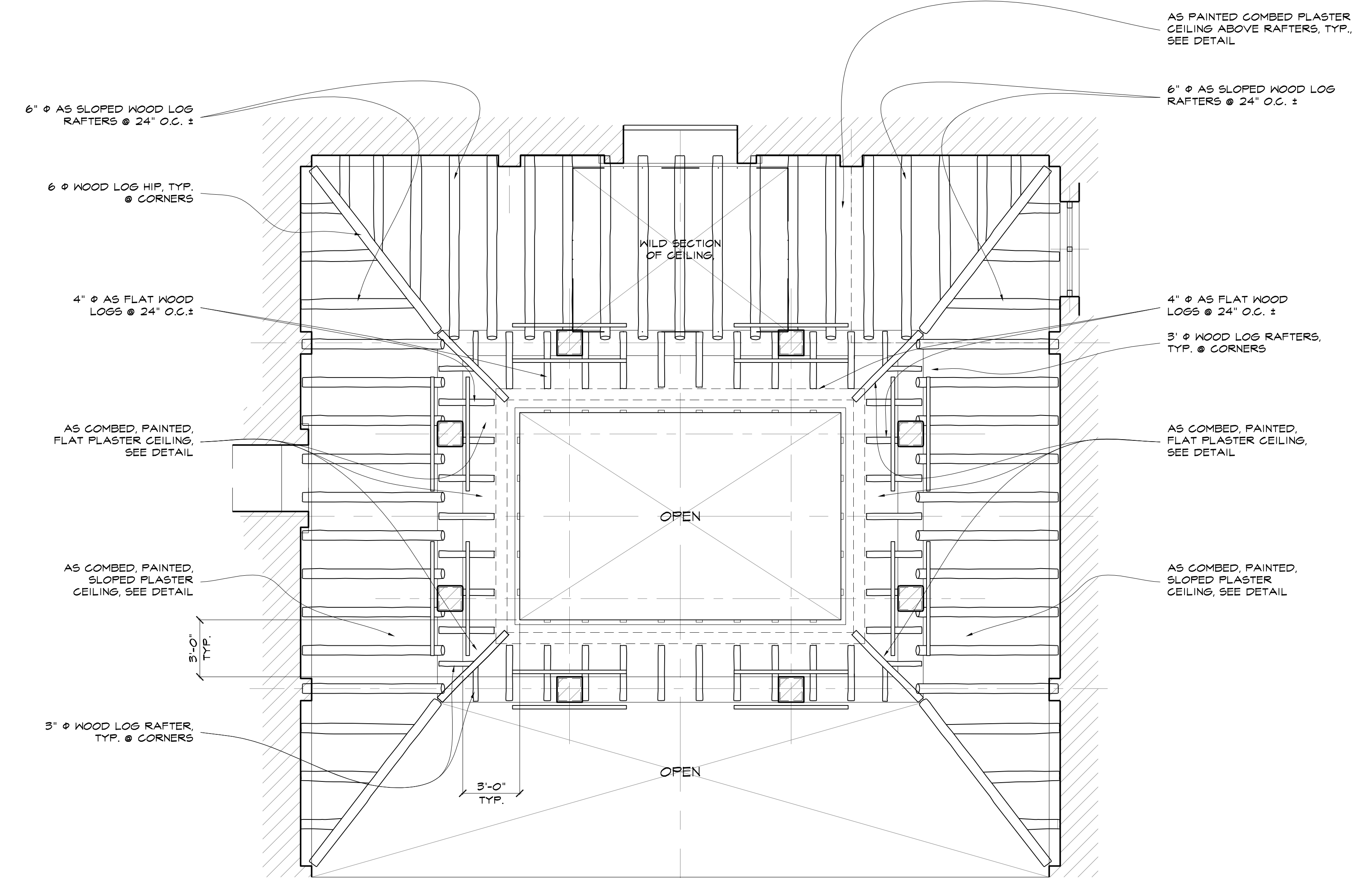
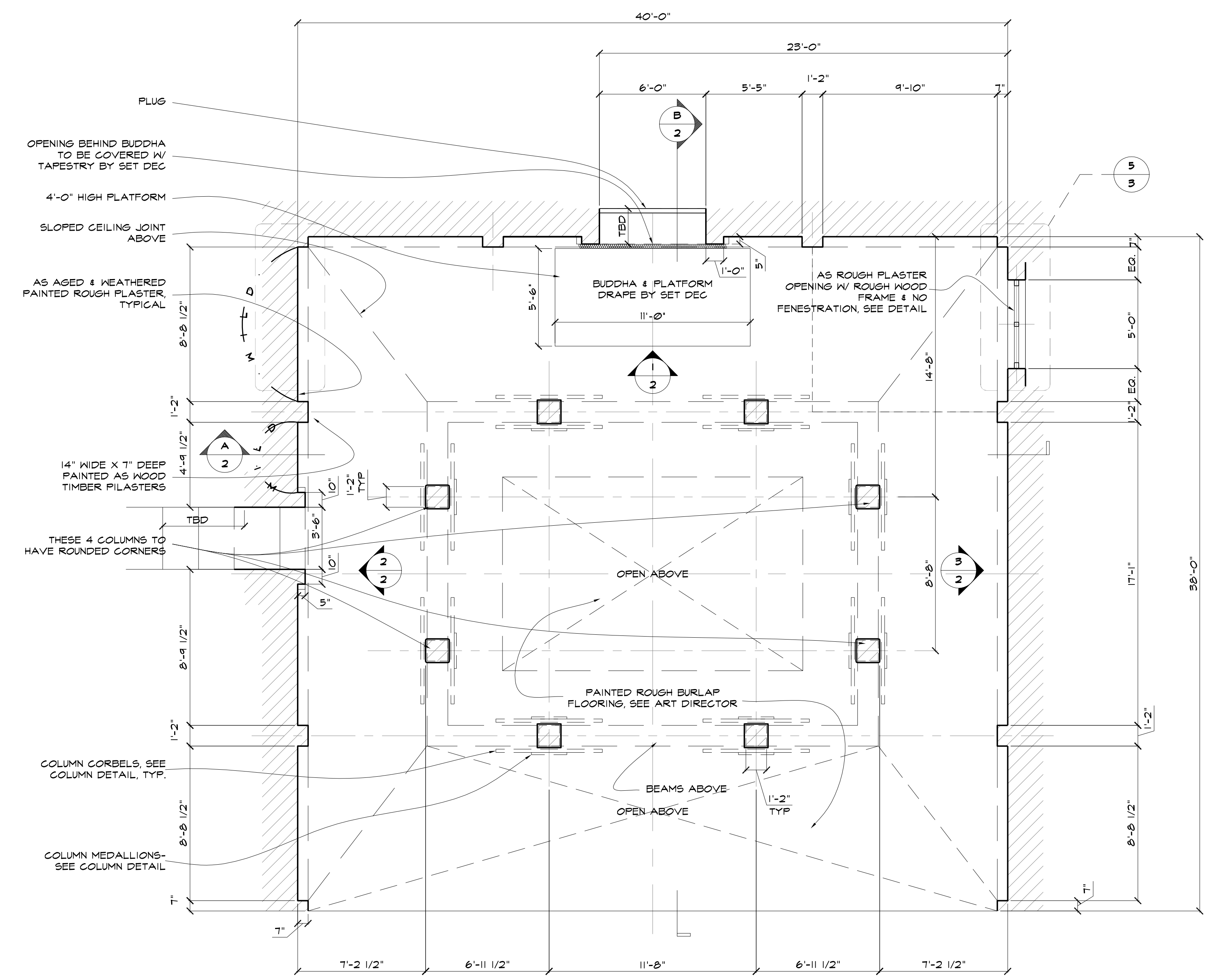


Framing Plan Version 6  
SCALE: 1/4" = 1'-0"

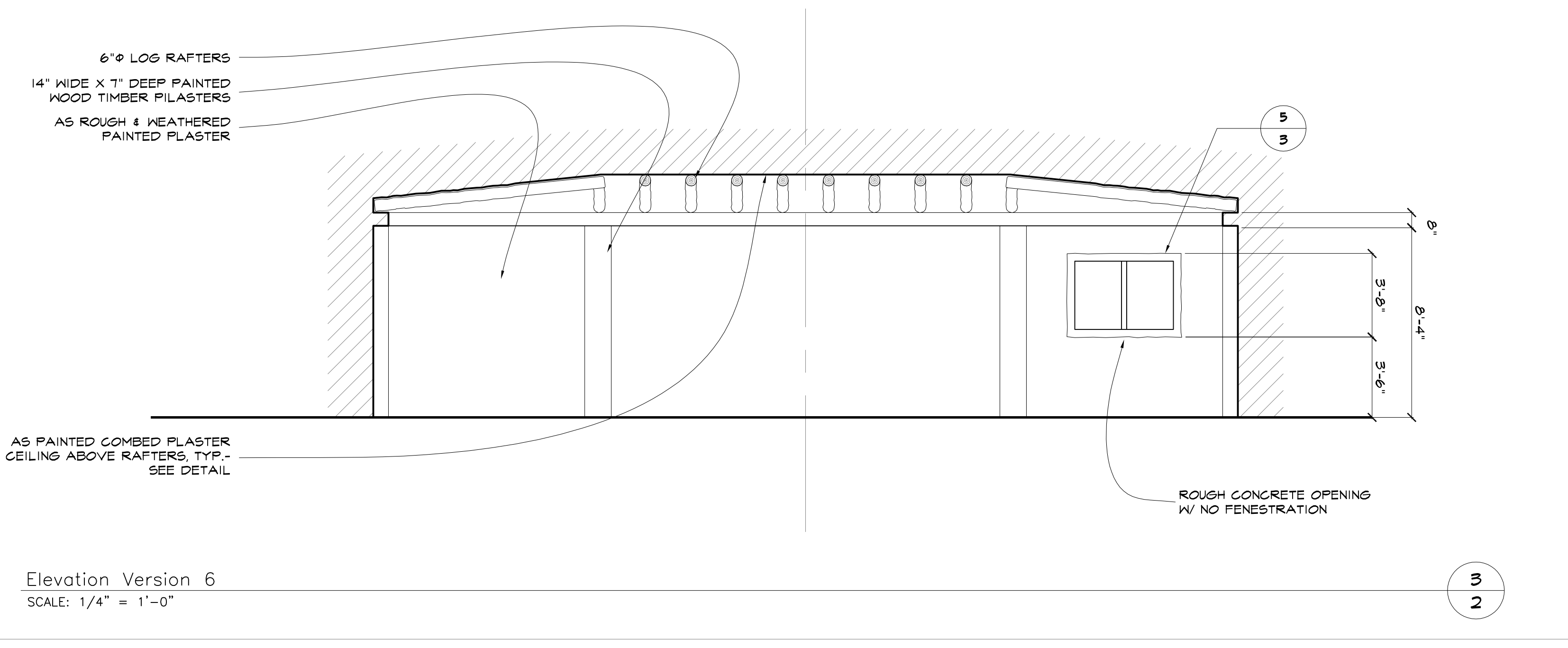


Reflected Ceiling Plan Version 6  
SCALE: 1/4" = 1'-0"

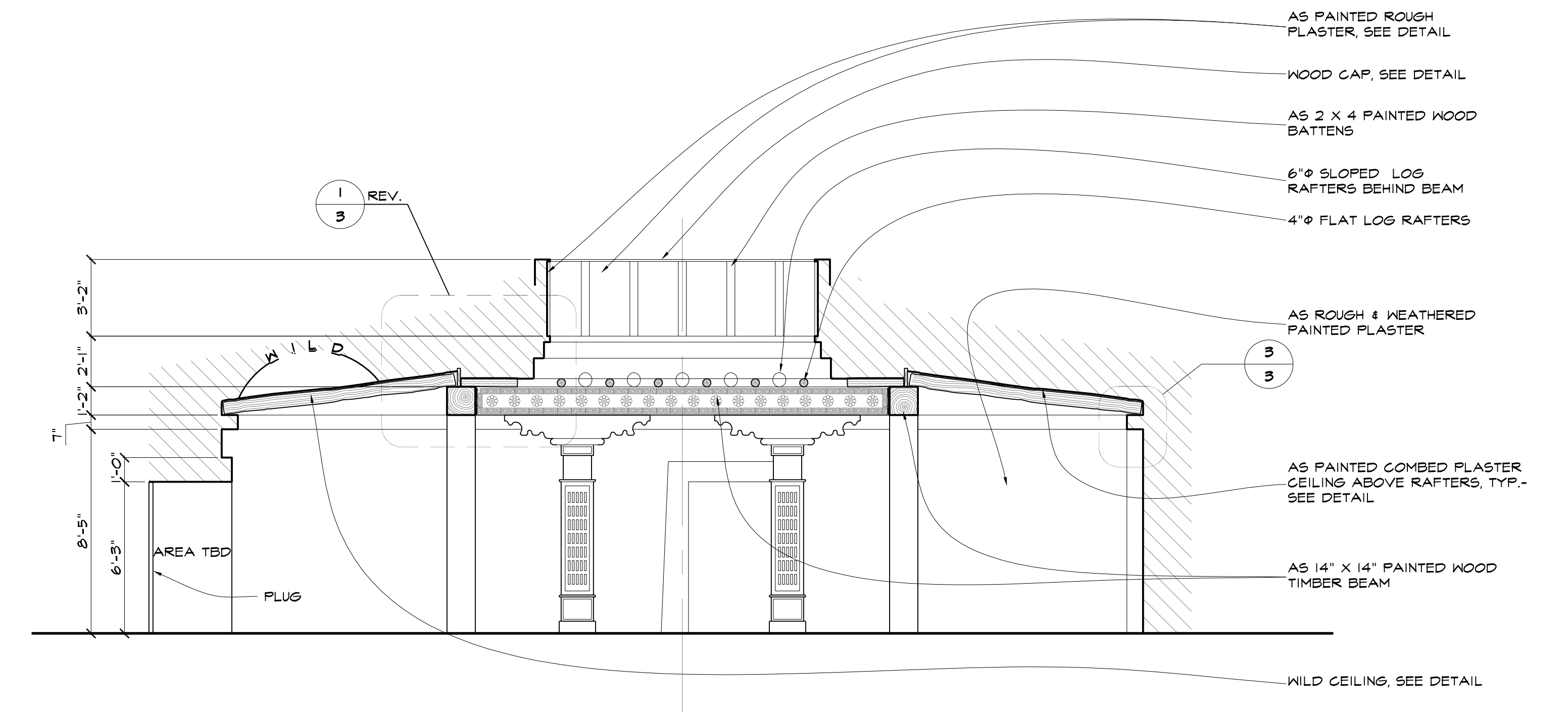


Floor Plan Version 6  
SCALE: 1/4" = 1'-0"

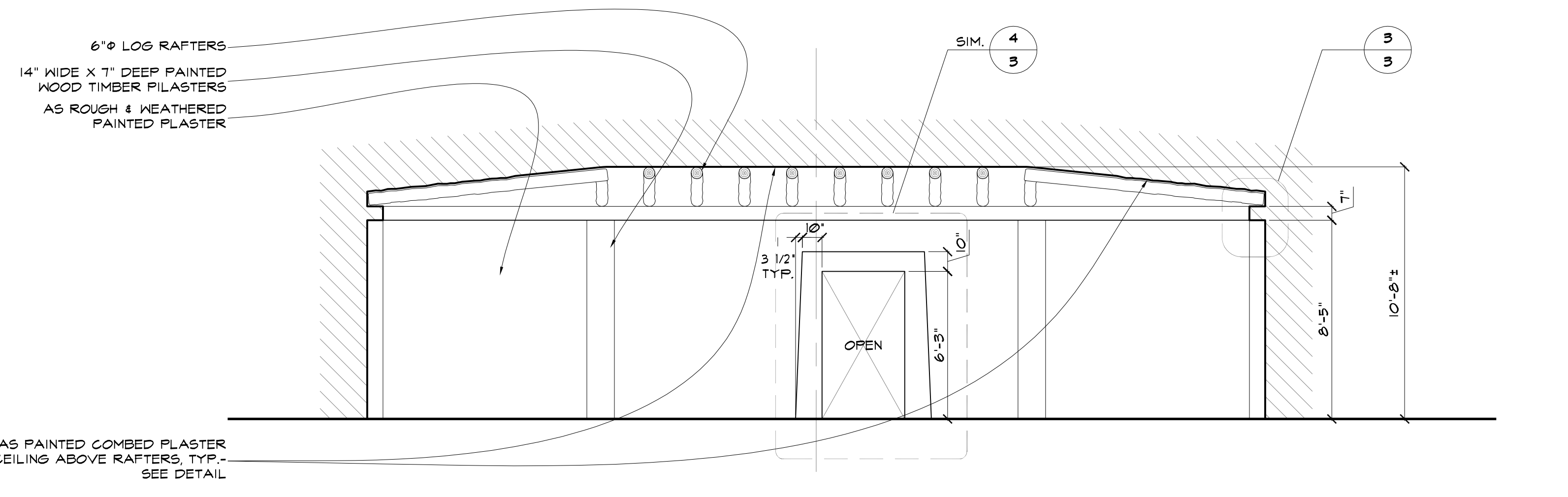
<b>Shaggy Dog</b>		SET No: 106
EXEC. PROJ: William Fay		SET NAME: Int. Monastery Med. Hall
PROJ. DESI: Leslie McDonald		DRAWING: Plans
DIR. PHOTO: Gabriel Berstain		SCALE: 1/4" = 1'-0"
ART DR: Alicia Maccaroni		DATE: 11/26/07
		DESIGNER: JEFF BECK
		REVISION:
		SHEET #:



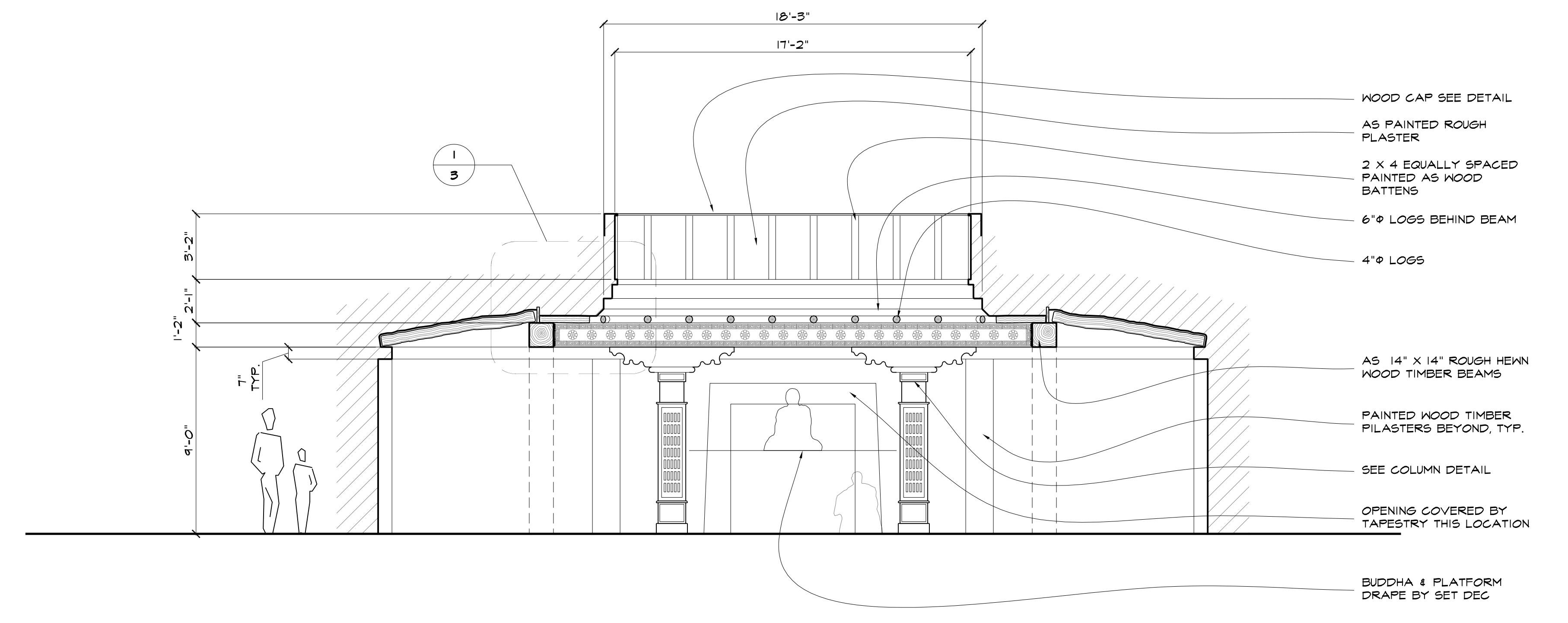
Elevation Version 6  
SCALE: 1/4" = 1'-0"



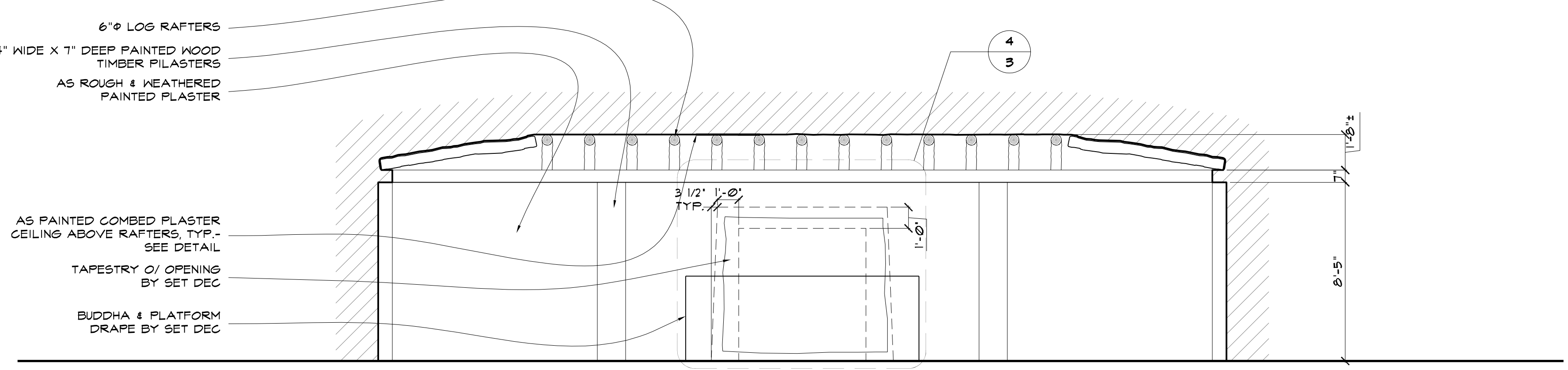
Section Version 6  
SCALE: 1/4" = 1'-0"



Elevation Version 6  
SCALE: 1/4" = 1'-0"

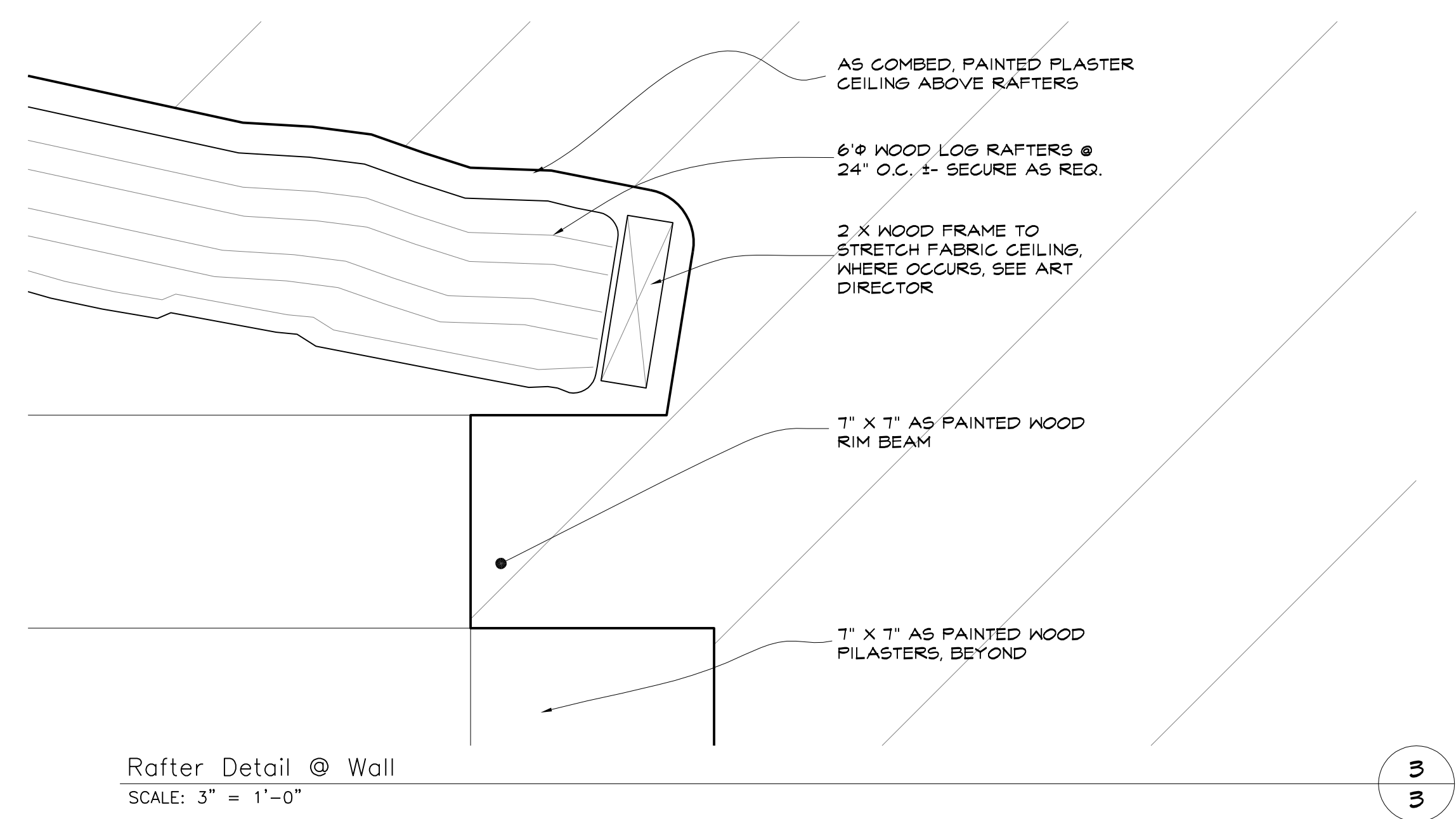


Section Version 6  
SCALE: 1/4" = 1'-0"



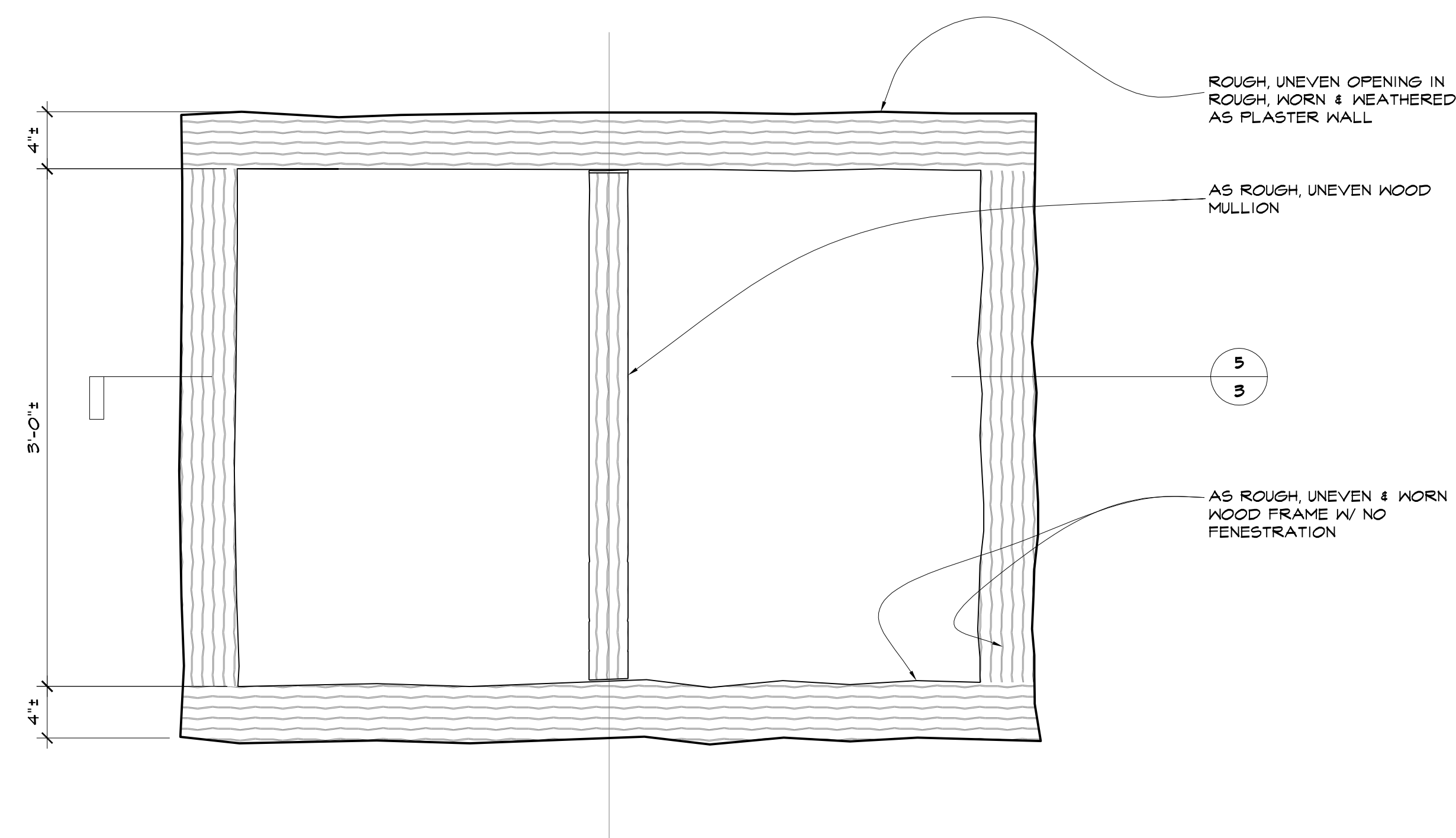
Elevation Version 6  
SCALE: 1/4" = 1'-0"

<b>Shaggy Dog</b>		SET No: 106
EXEC PROD: William Fay		SET NAME: Int. Monastery Med. Hall
DIR. PHOTO: Gabriel Beristain		DRAWING: Sections & Elevations
DESIGNER: JEFF BECK	SCALE: 1/4" = 1'-0"	DATE: 11/26/07
ART DIR: Alicia Maccarone	REVISION:	SHEET #: 2



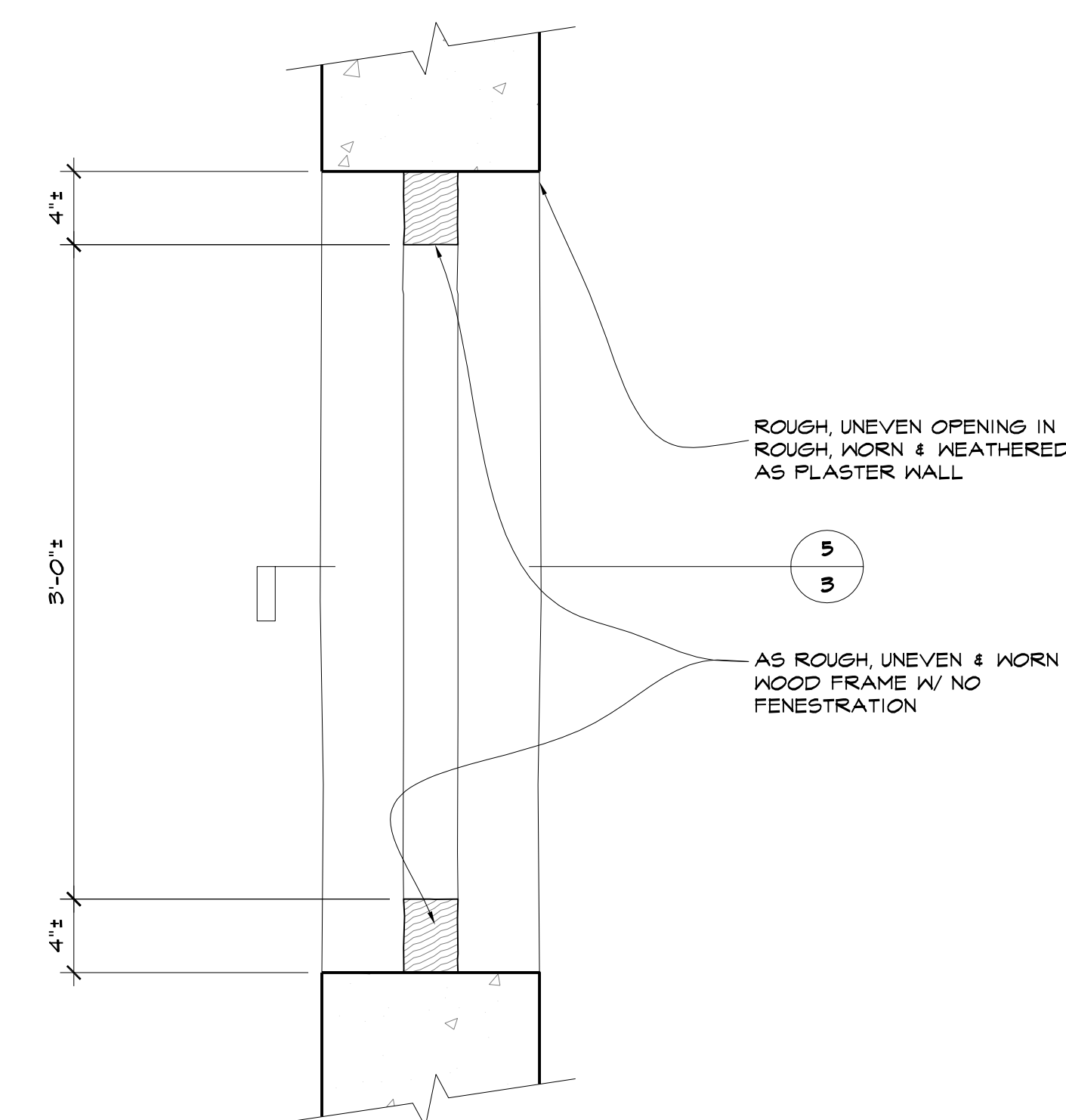
Rafter Detail @ Wall  
SCALE: 3" = 1'-0"

3  
3



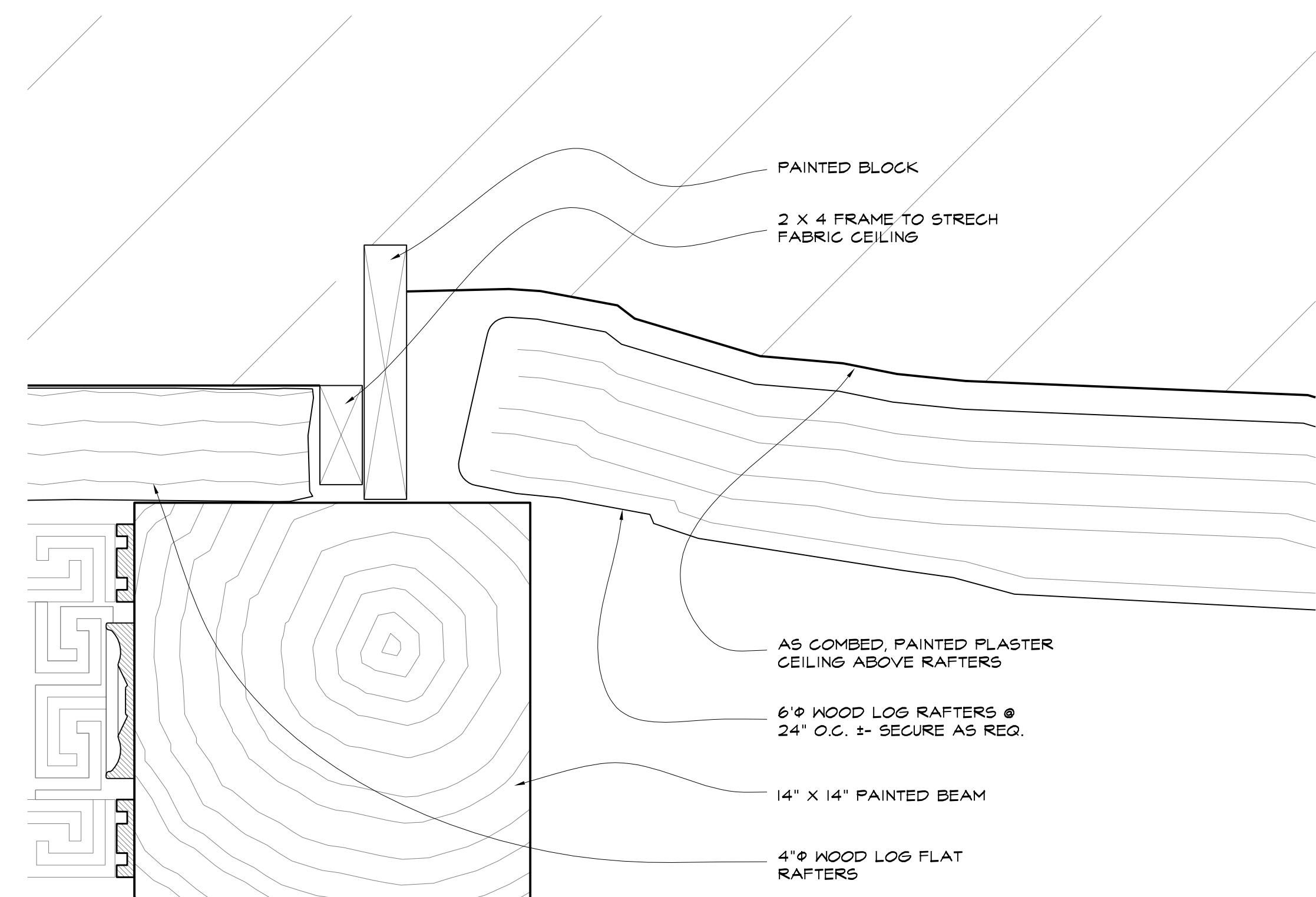
Window Opening Elevation Detail  
SCALE: 1 1/2" = 1'-0"

6  
3



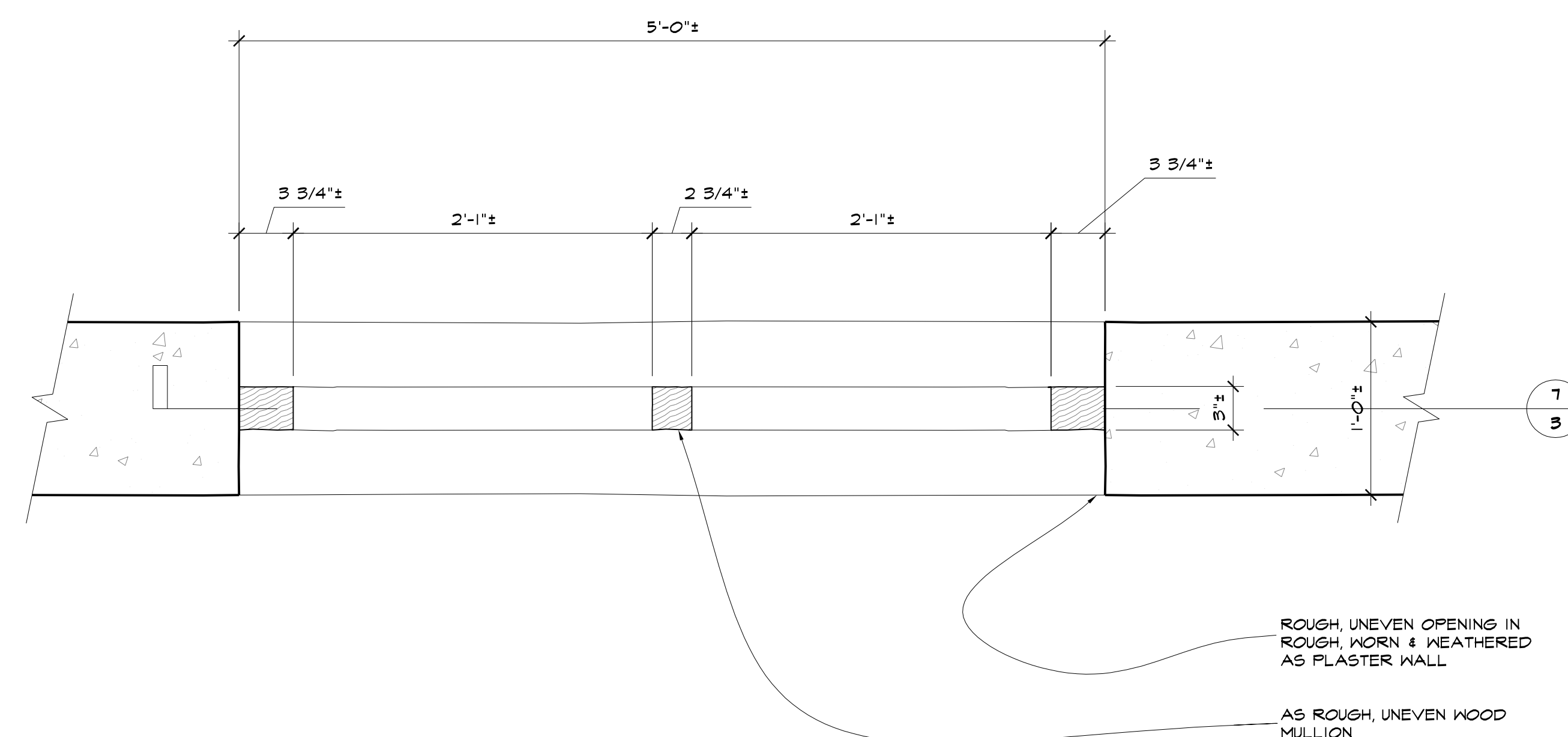
Window Opening Elevation Detail  
SCALE: 1 1/2" = 1'-0"

7  
3



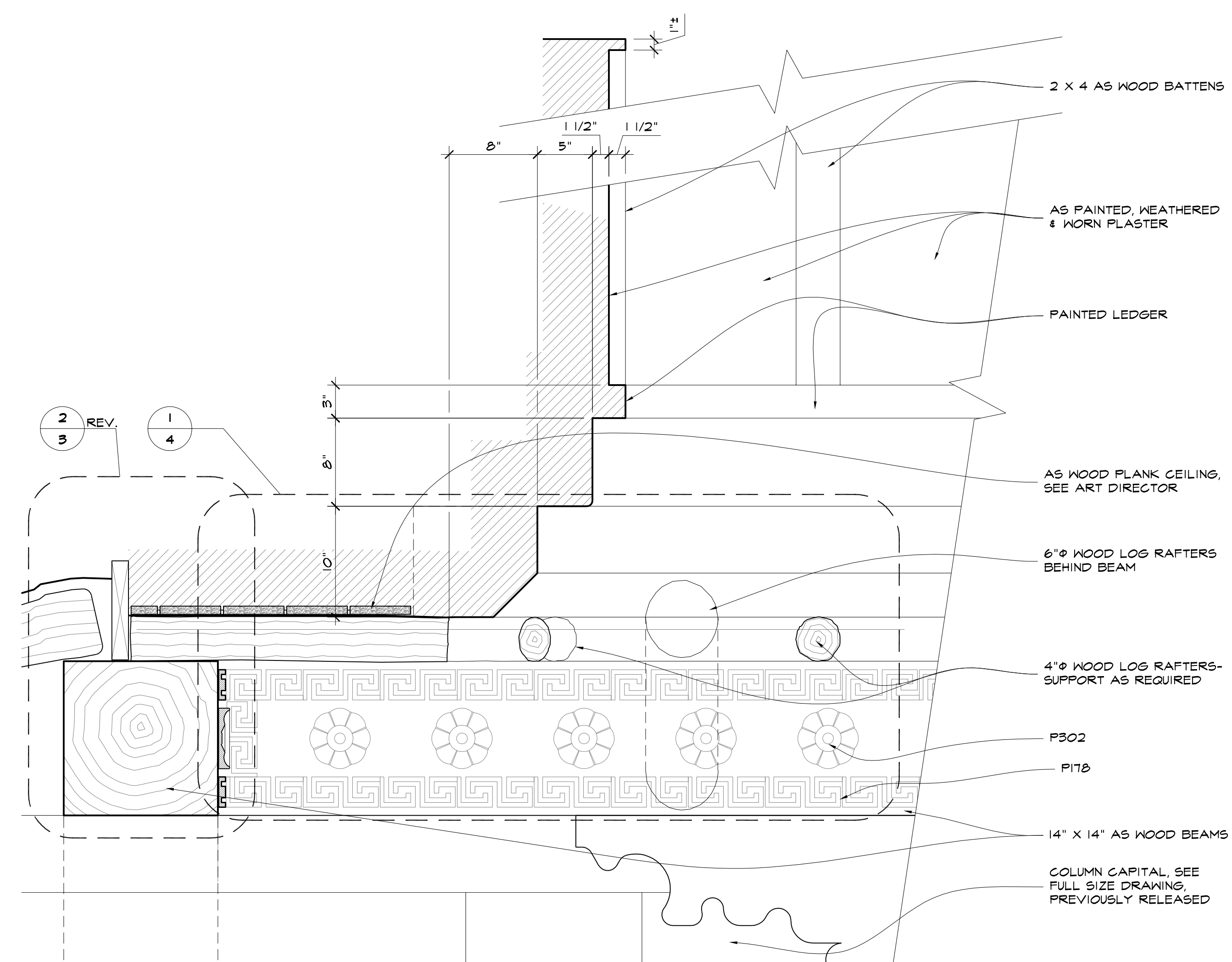
Section Detail @ 14" x 14" beam  
SCALE: 3" = 1'-0"

2  
3



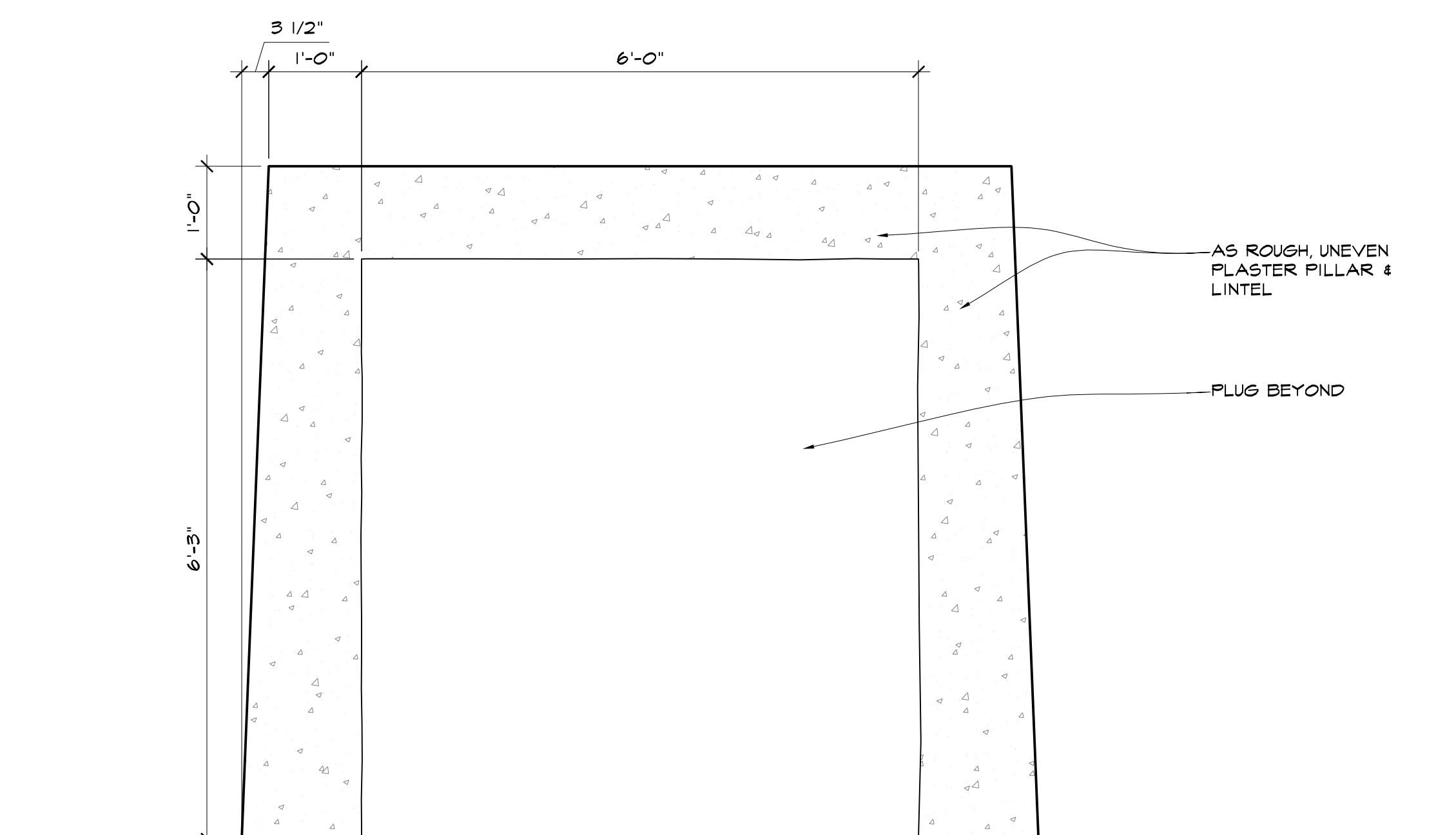
Window Opening Plan Detail  
SCALE: 1 1/2" = 1'-0"

5  
3



Section Detail @ Ceiling Opening  
SCALE: 1 1/2" = 1'-0"

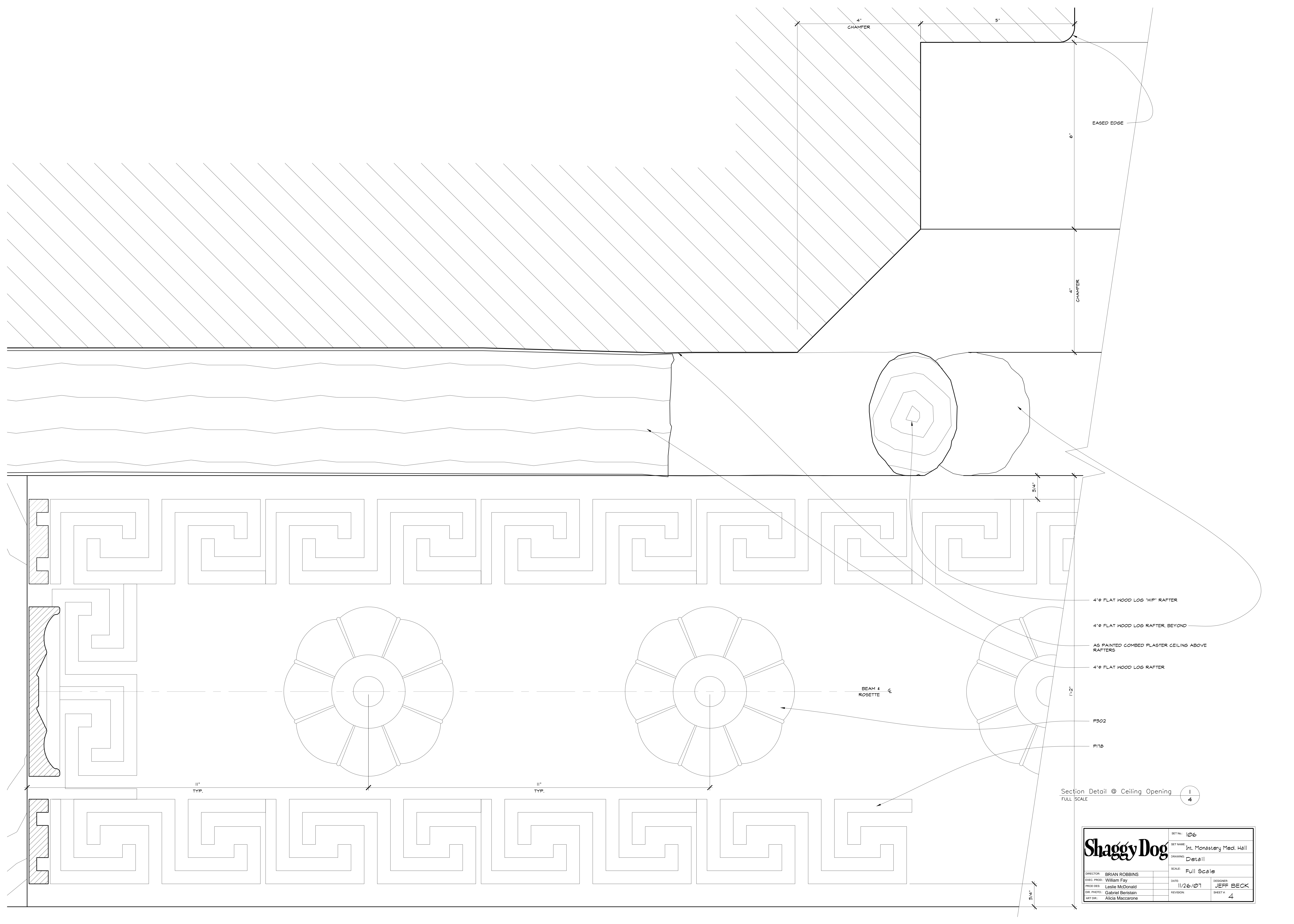
1  
3



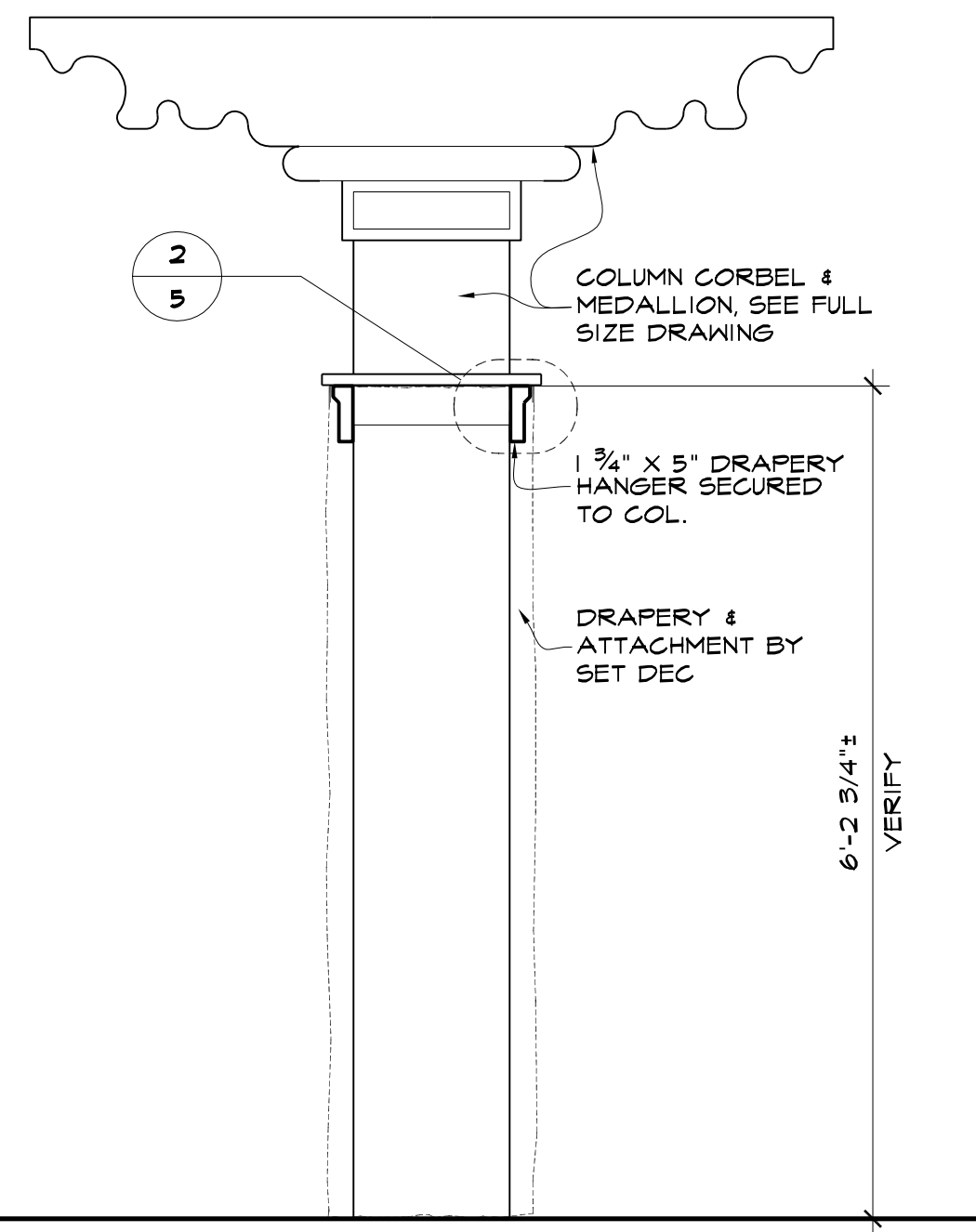
Plaster Opening Elevation Detail  
SCALE: 3/4" = 1'-0"

4  
3

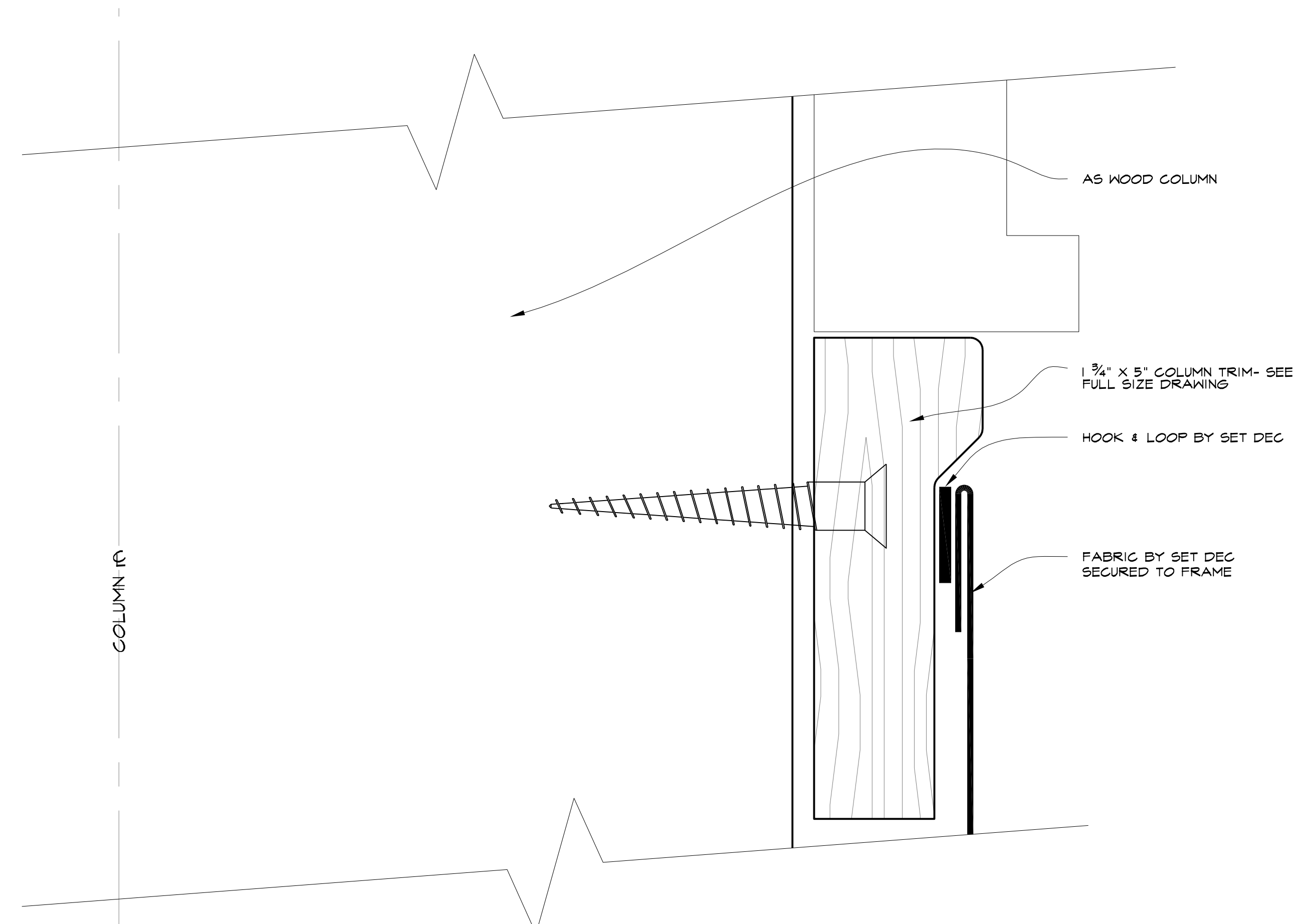
<b>Shaggy Dog</b>		SET No: 106
		SET NAME: Int. Monastery Med. Hall
		DRAWING: Details
		SCALE: As Noted
DIRECTOR: BRIAN ROBBINS	EXEC PROD: William Fay	DESIGNER: JEFF BECK
PROD DESI: Leslie McDonald	DATE: 11/26/07	REVISION:
DIR. PHOTO: Gabriel Berstain	ART DR: Alicia Maccarone	SHEET #: 3



<b>Shaggy Dog</b>		SET No: 106
EXEC PROD: William Fay		SET NAME: Int. Monastery Med. Hall
DIR. PHOTO: Gabriel Berstain		DRAWING: Detail
ART DIR: Alicia Maccaroni		SCALE: Full Scale
DESIGNER: JEFF BECK	DATE: 11/26/07	REVISION:
SHEET # 4		



Drapery Hanger Elevation Detail  
SCALE: 3/4" = 1'-0"  
1  
5



Drapery Hanger Detail  
FULL SCALE  
2  
5

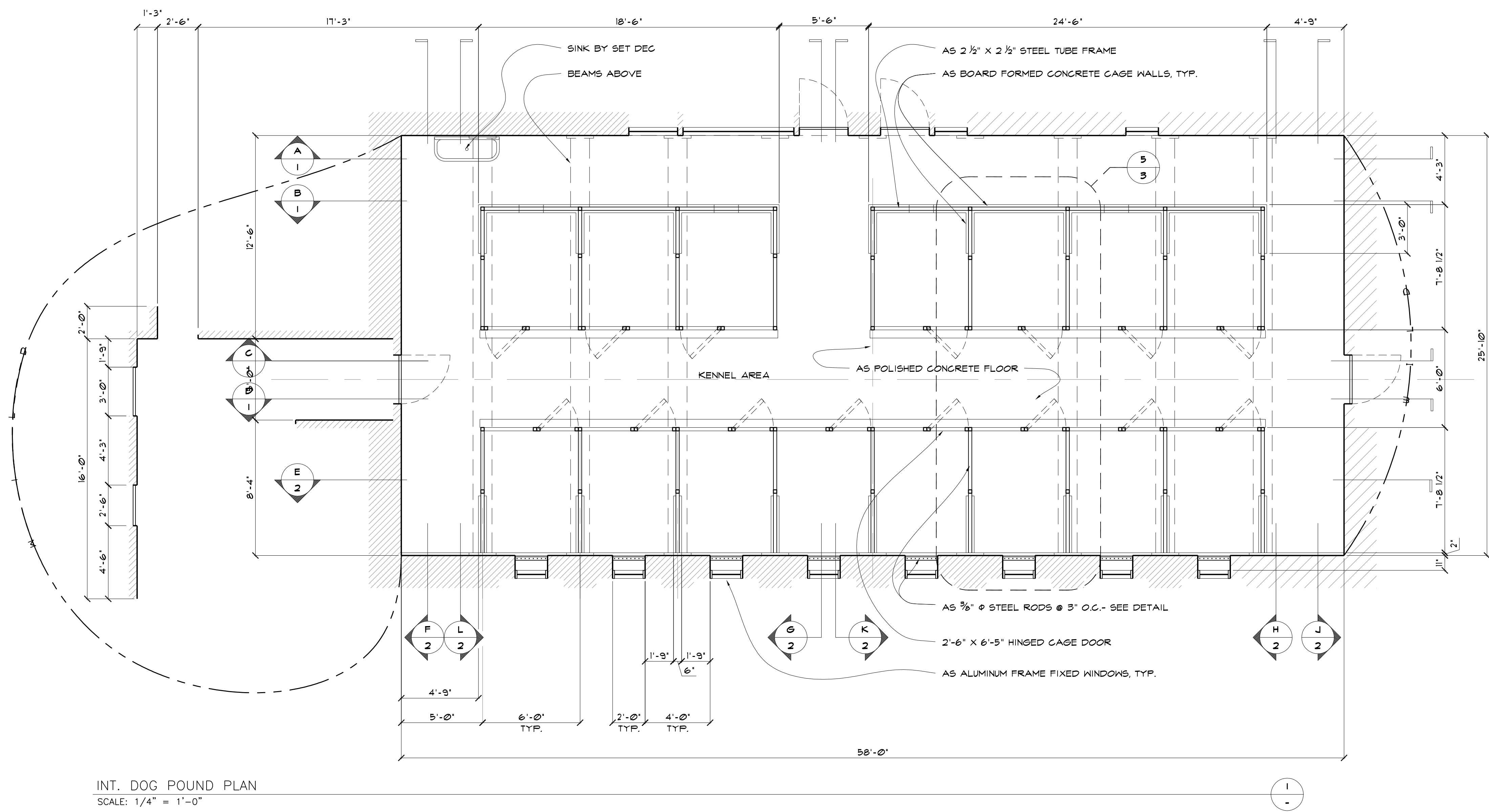
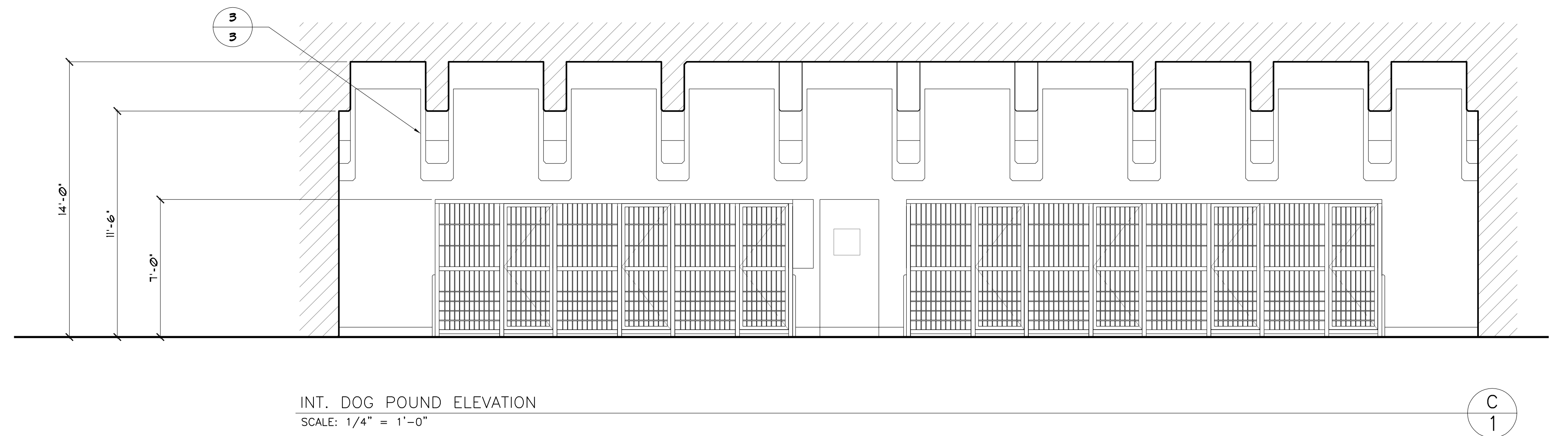
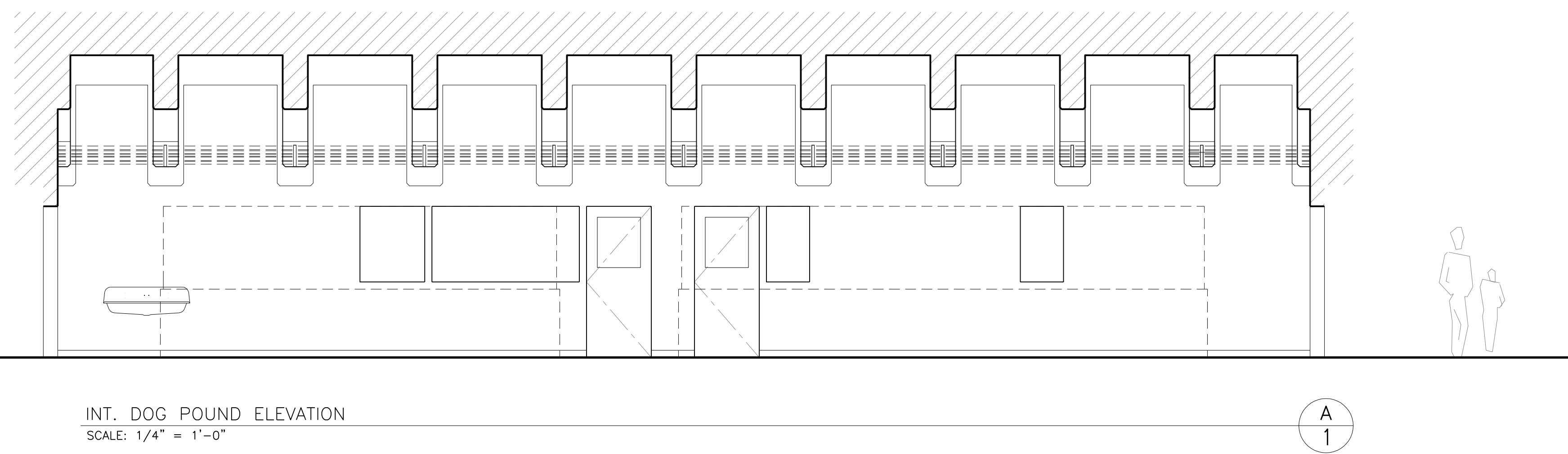
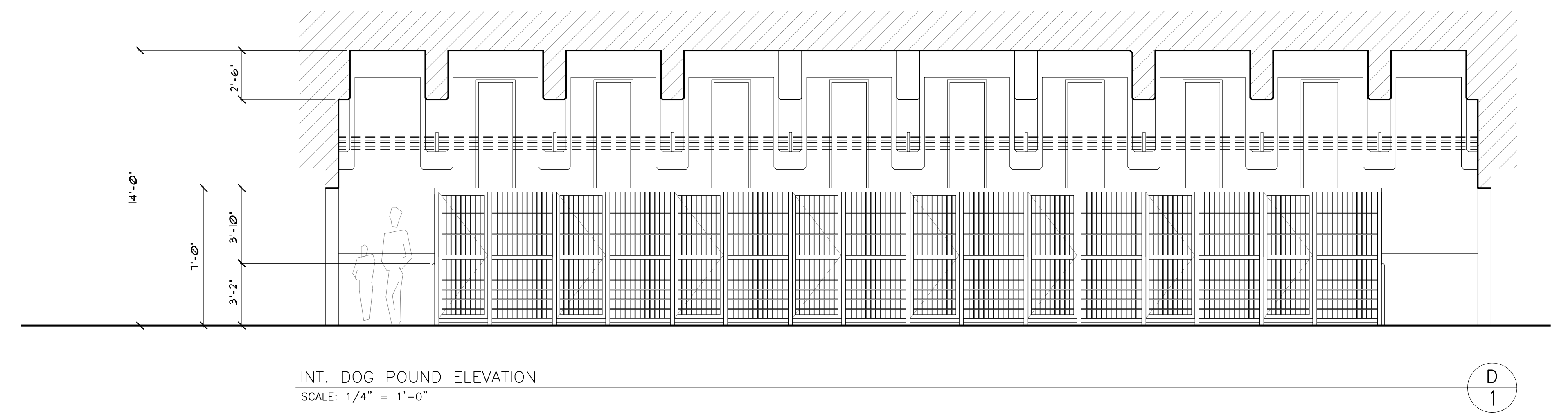
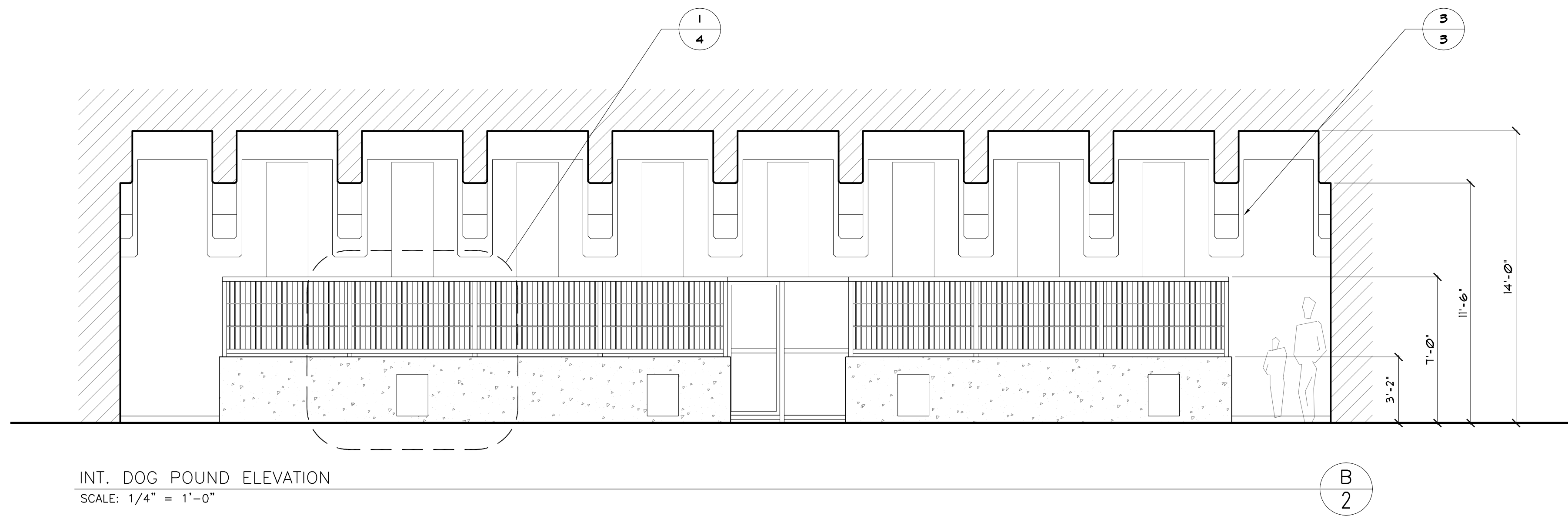
<b>Shaggy Dog</b>		SET No: 106
EXEC PRD: William Fay		SET NAME: Int. Monastery Med. Hall
DIR. PHOTO: Gabriel Berstain		DRAWING: Details
ART DR: Alicia Maccarone		SCALE: As Noted
PROJ DES: Leslie McDonald	DATE: 11/26/07	DESIGNER: JEFF BECK
	REVISION:	SHEET #: 5



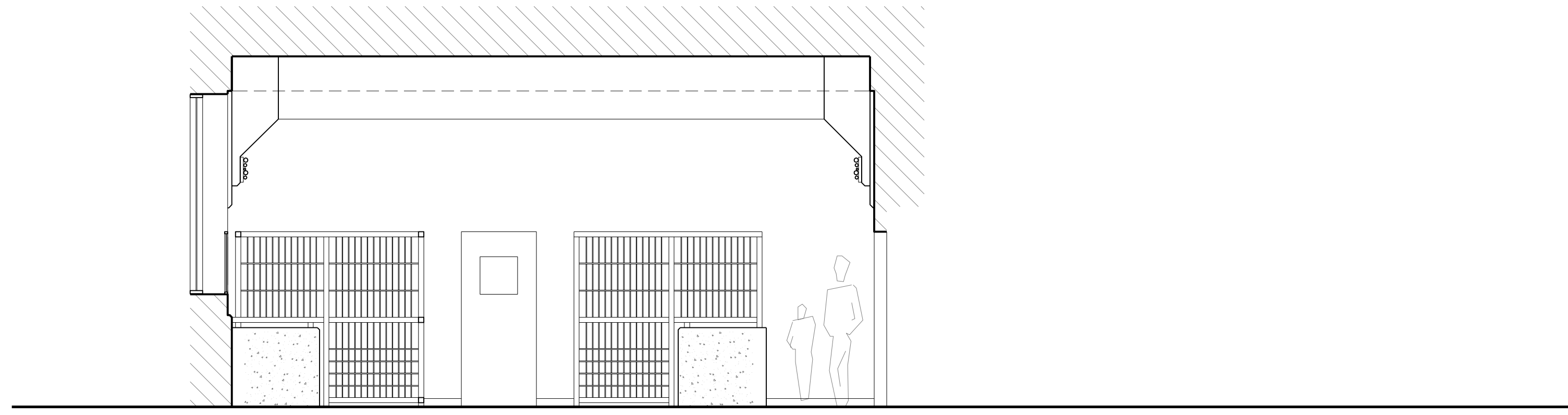






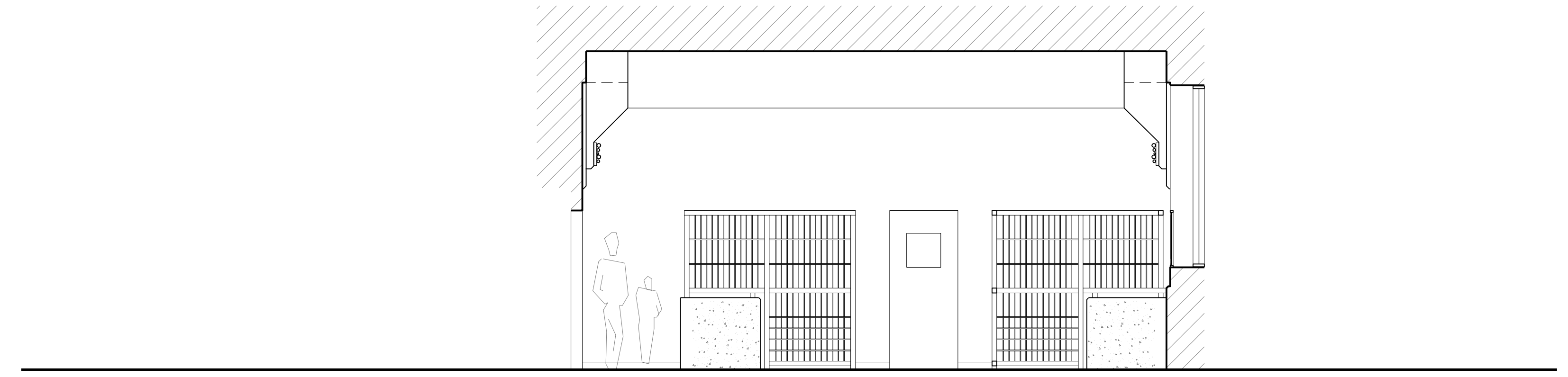


<b>Shaggy Dog</b>		SET NO: 127	SET NAME: Int. Dog Pound- Kennel Area
DIRECTOR: BRIAN ROBBINS		SCALE: 1/4" = 1'-0"	DRAWING: Plan & Sections
EXEC PROD: William Fay	DATE: 11/26/07	DESIGNER: JEFF BECK	
PROD DES: Leslie McDonald	REVISION:	SHEET # 1	
DR. PHOTO: Gabriel Bernstein			
INT DR: Dan Dorrance			



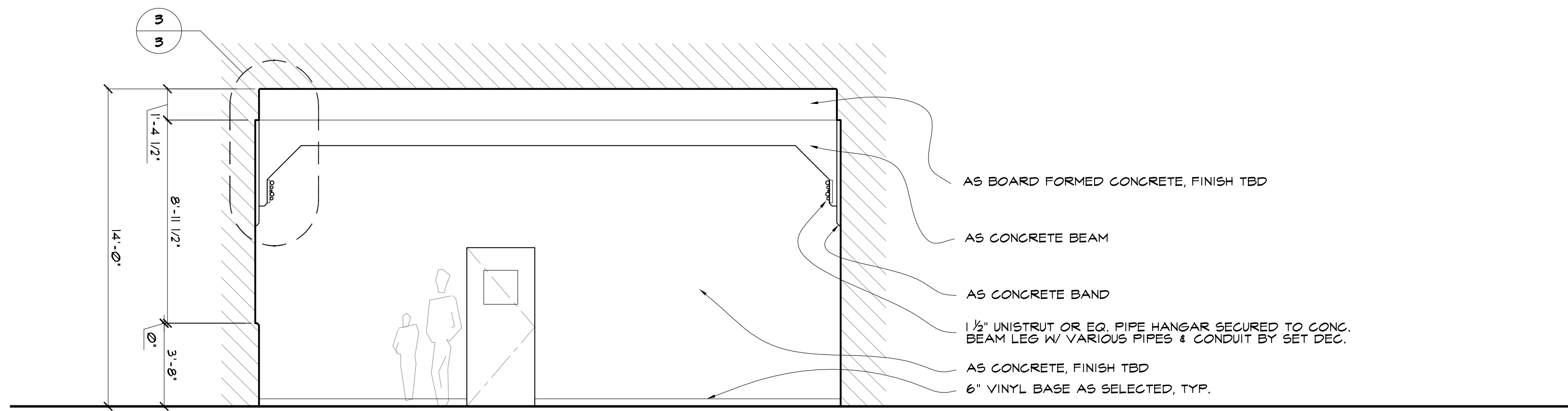
INT. DOG POUND SECTION  
SCALE: 1/4" = 1'-0"

G  
2



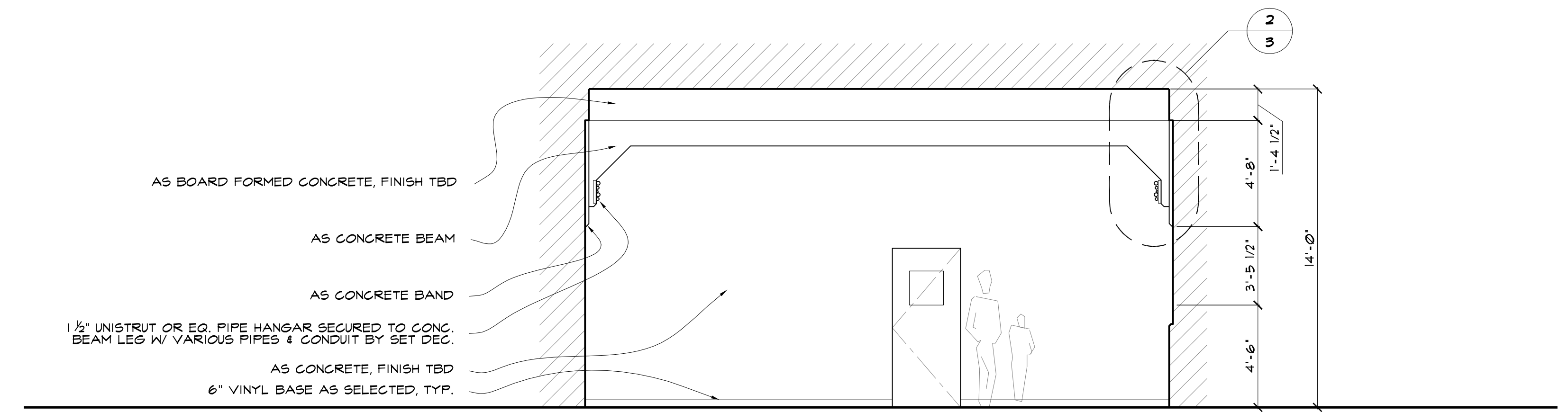
INT. DOG POUND SECTION  
SCALE: 1/4" = 1'-0"

K  
2



INT. DOG POUND SECTION  
SCALE: 1/4" = 1'-0"

F  
2



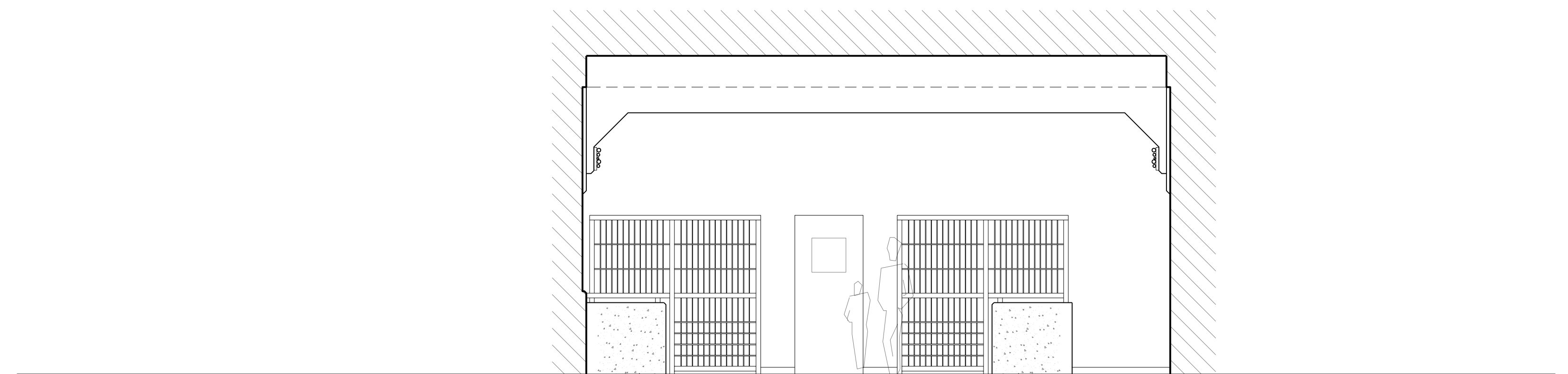
INT. DOG POUND SECTION  
SCALE: 1/4" = 1'-0"

J  
2



INT. DOG POUND SECTION  
SCALE: 1/4" = 1'-0"

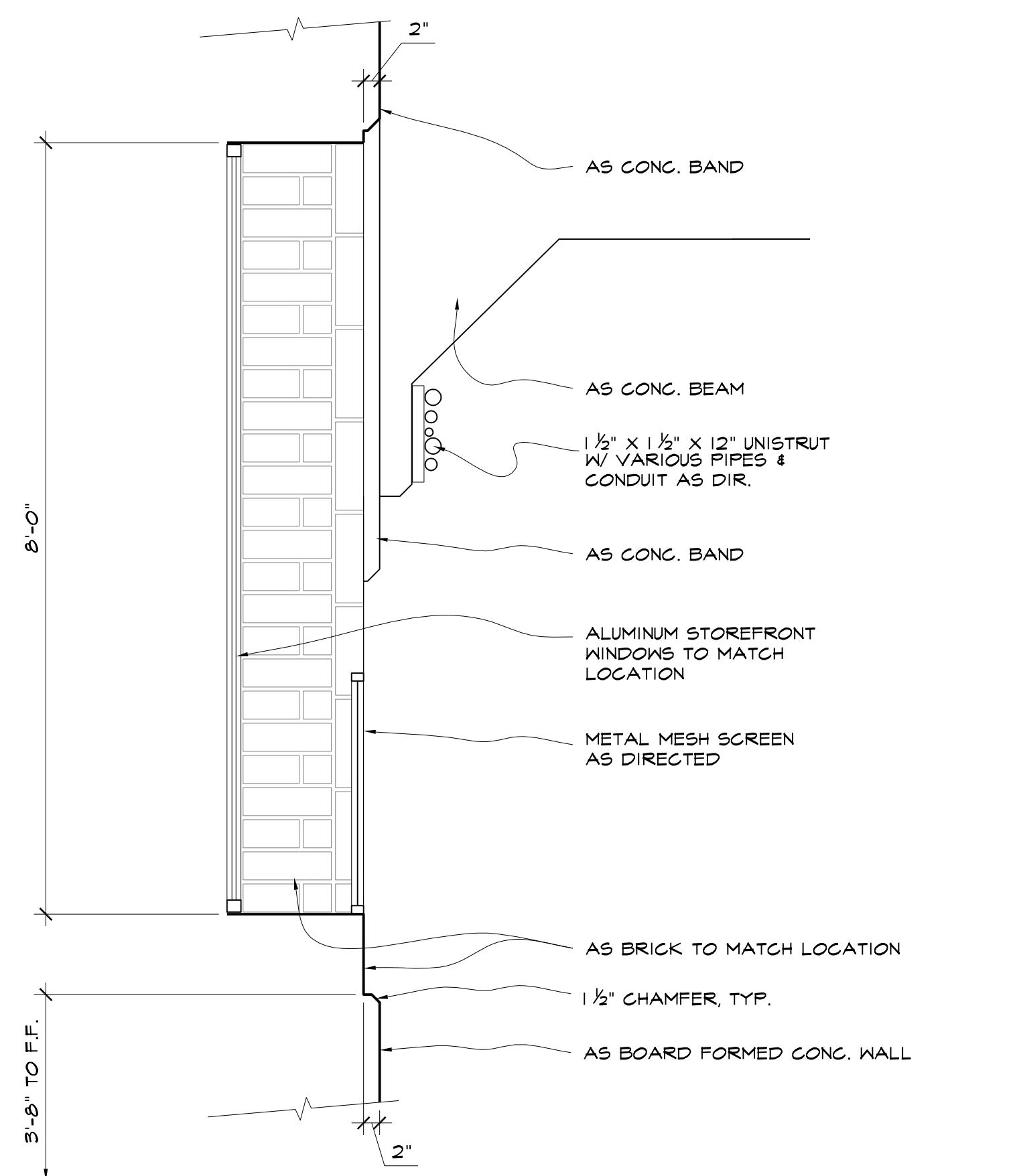
E  
2



INT. DOG POUND SECTION  
SCALE: 1/4" = 1'-0"

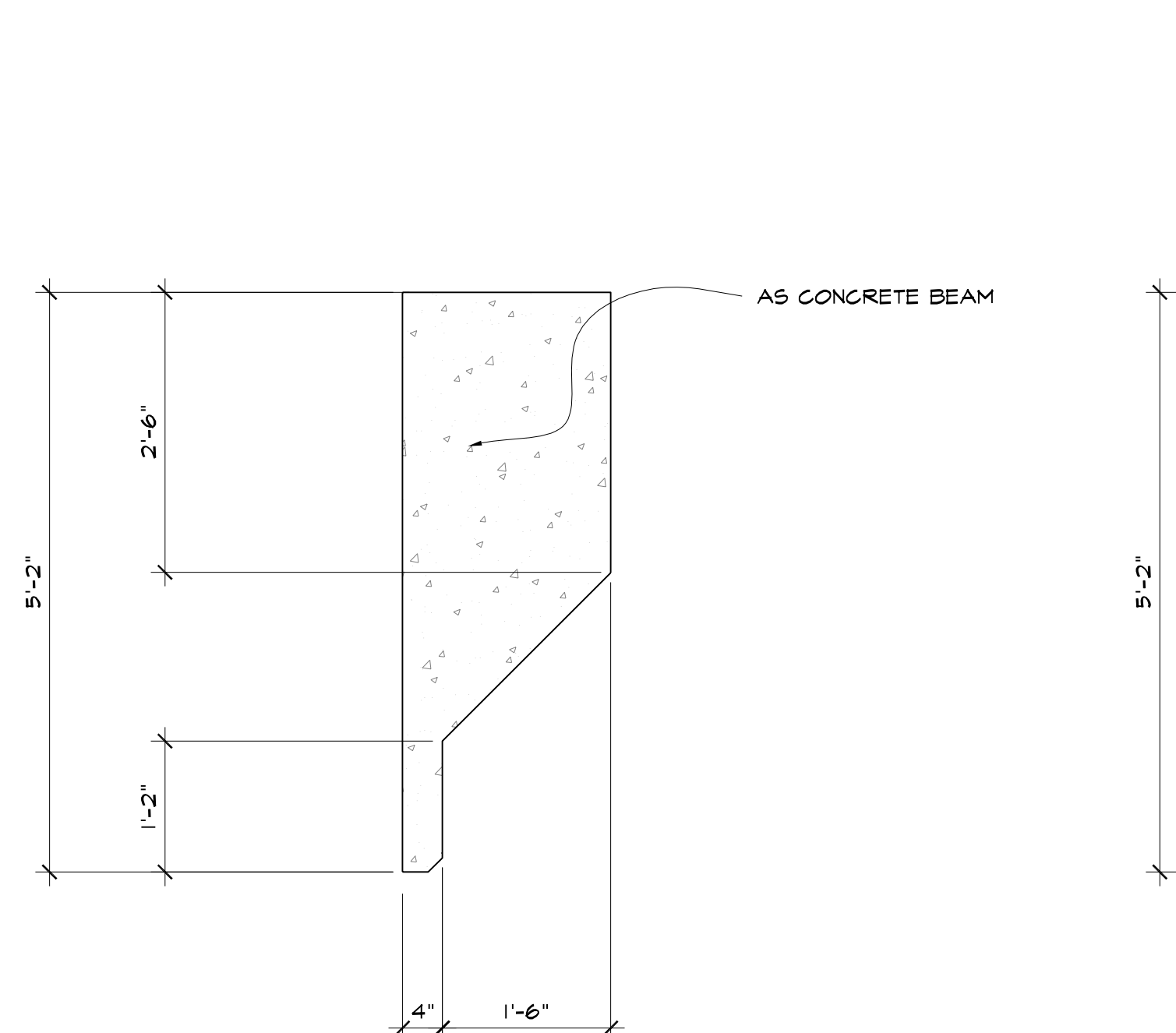
H  
2

<b>Shaggy Dog</b>		SET NO: 127
		SET NAME: Int. Dog Pound
DRAWING: Sections		SCALE: 1/4" = 1'-0"
DIRECTOR: BRIAN ROBBINS	DATE: 11/26/07	DESIGNER: JEFF BECK
EXEC PROD: William Fay	DR. PHOTO: Gabriel Bernstein	SHEET # 2
PROD DES: Leslie McDonald	INT DR: Dan Dorrance	



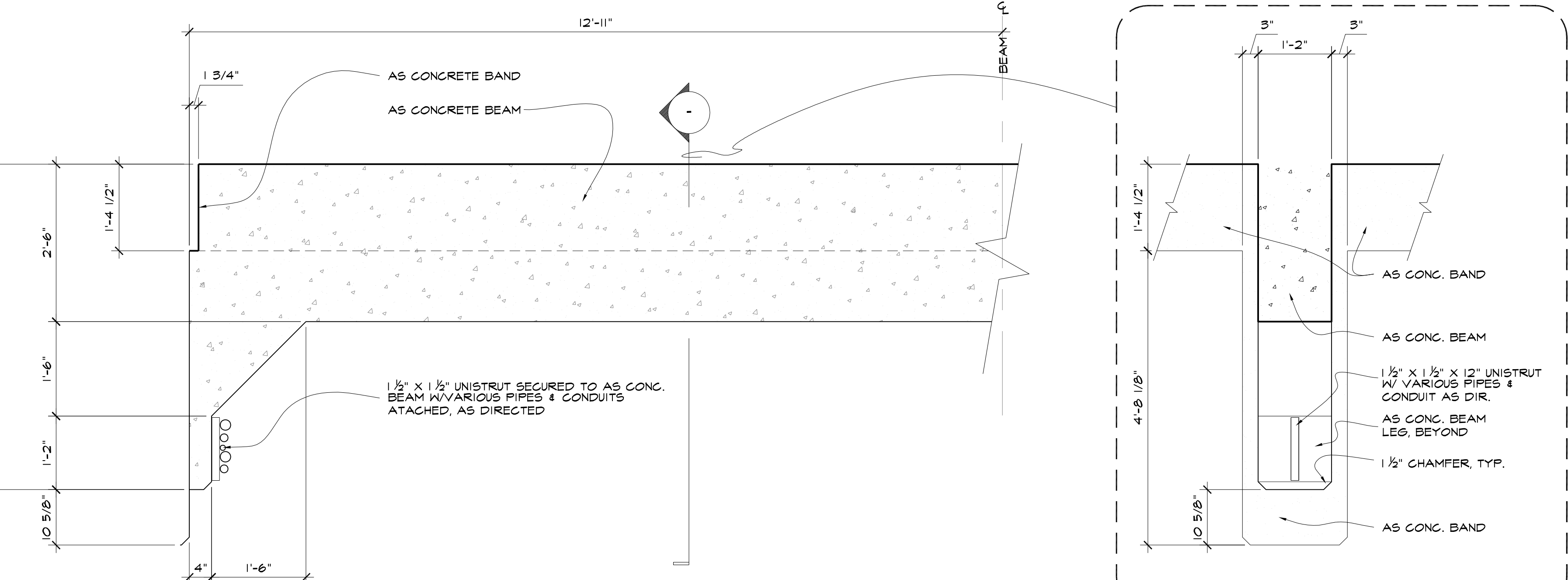
WALL SECTION THRU WINDOW  
SCALE: 3/4" = 1'-0"

4  
3



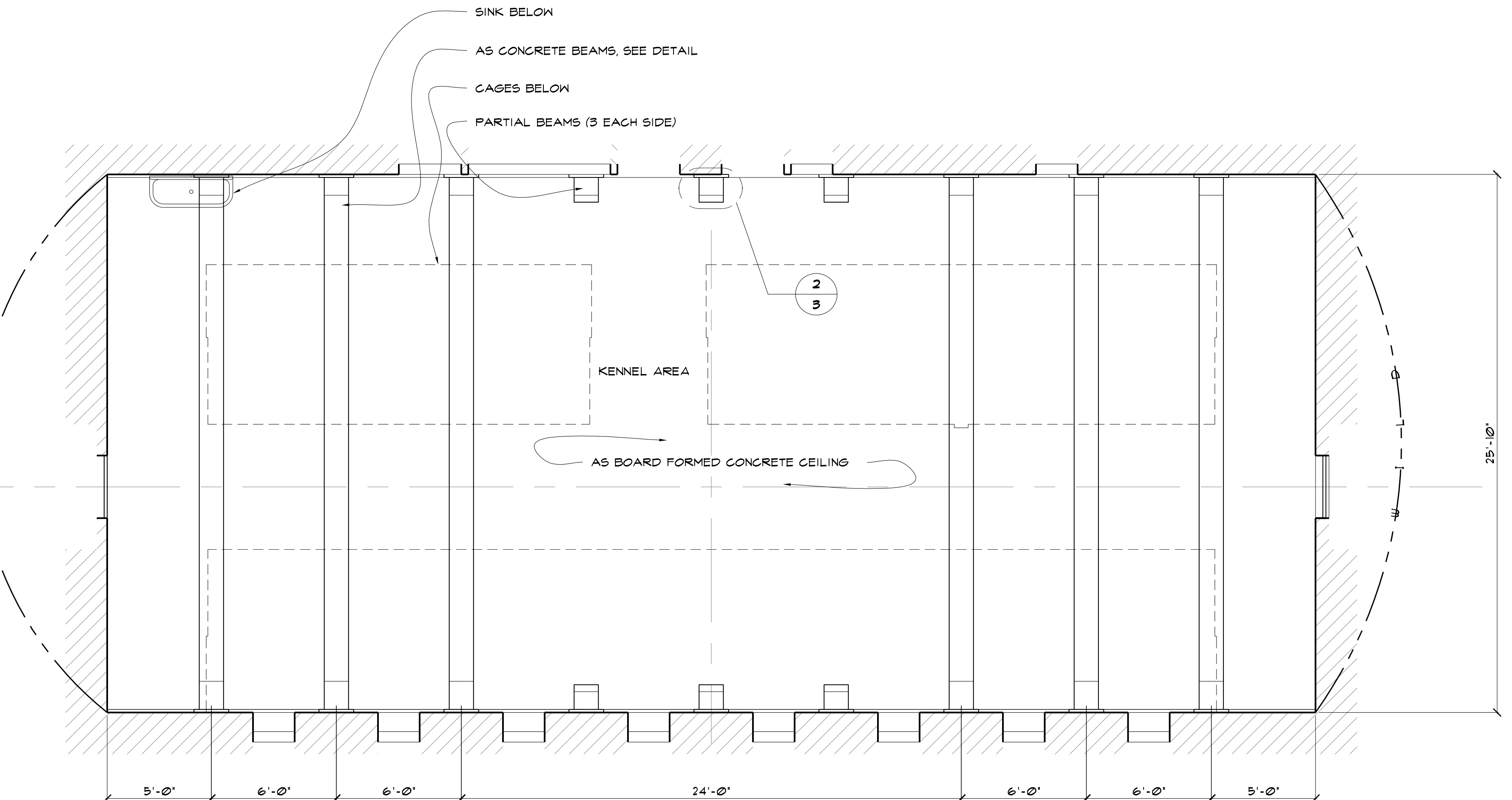
PARTIAL AS CONCRETE BEAM ELEVATION DETAIL  
SCALE: 3/4" = 1'-0"

2  
3



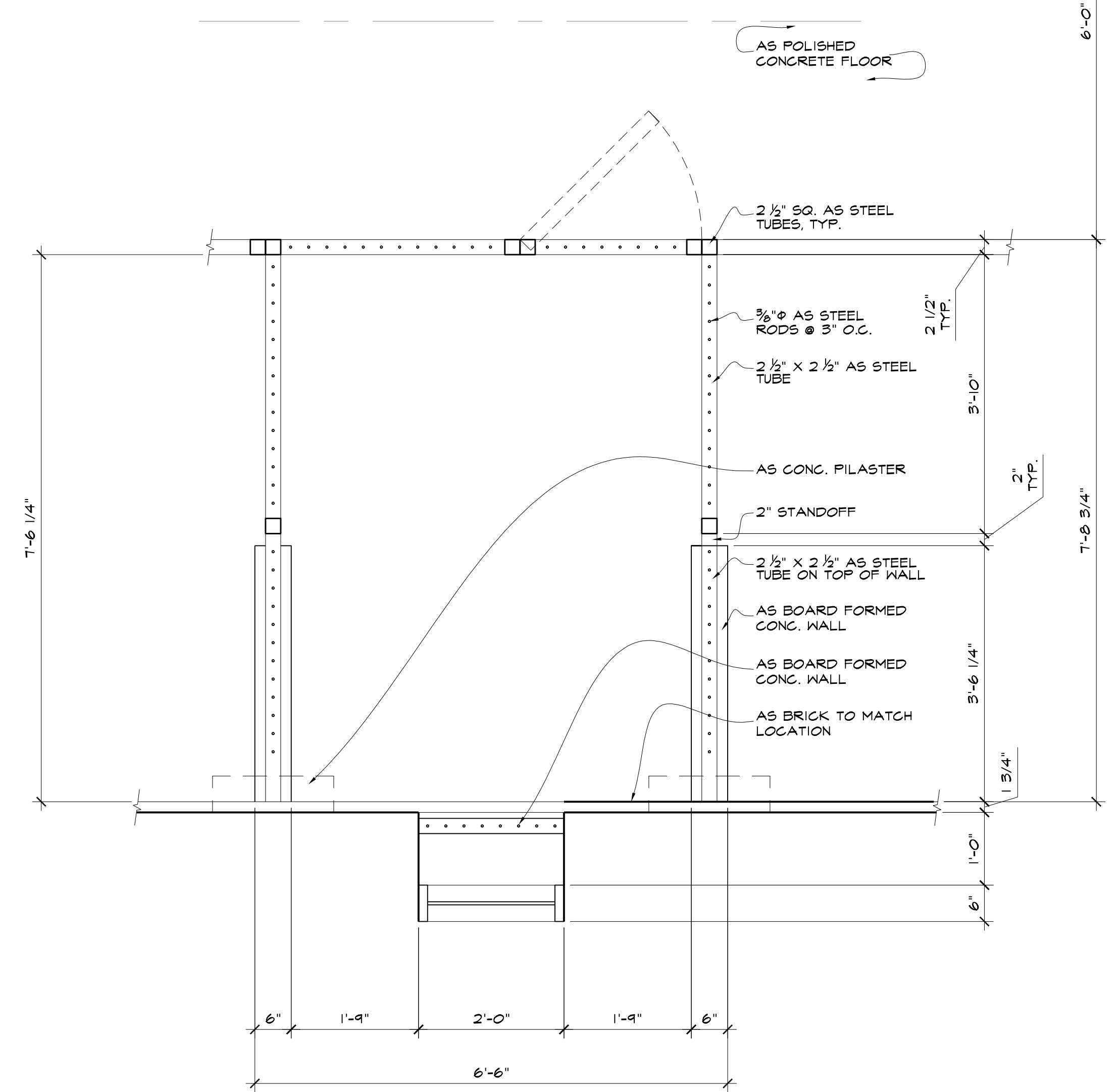
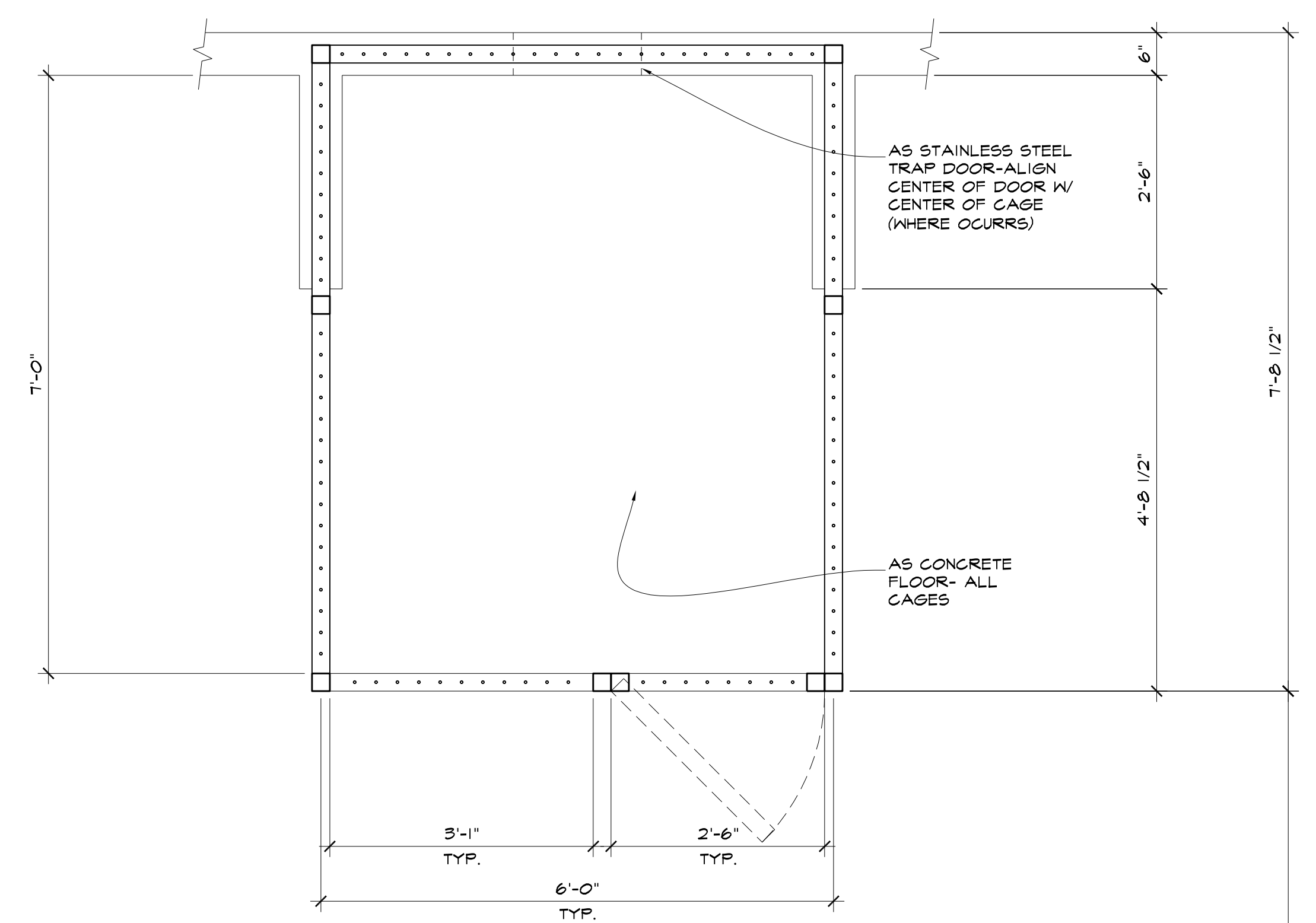
AS CONCRETE BEAM ELEVATION DETAIL  
SCALE: 3/4" = 1'-0"

3  
3



INT. DOG POUND REFLECTED CEILING PLAN  
SCALE: 1/4" = 1'-0"

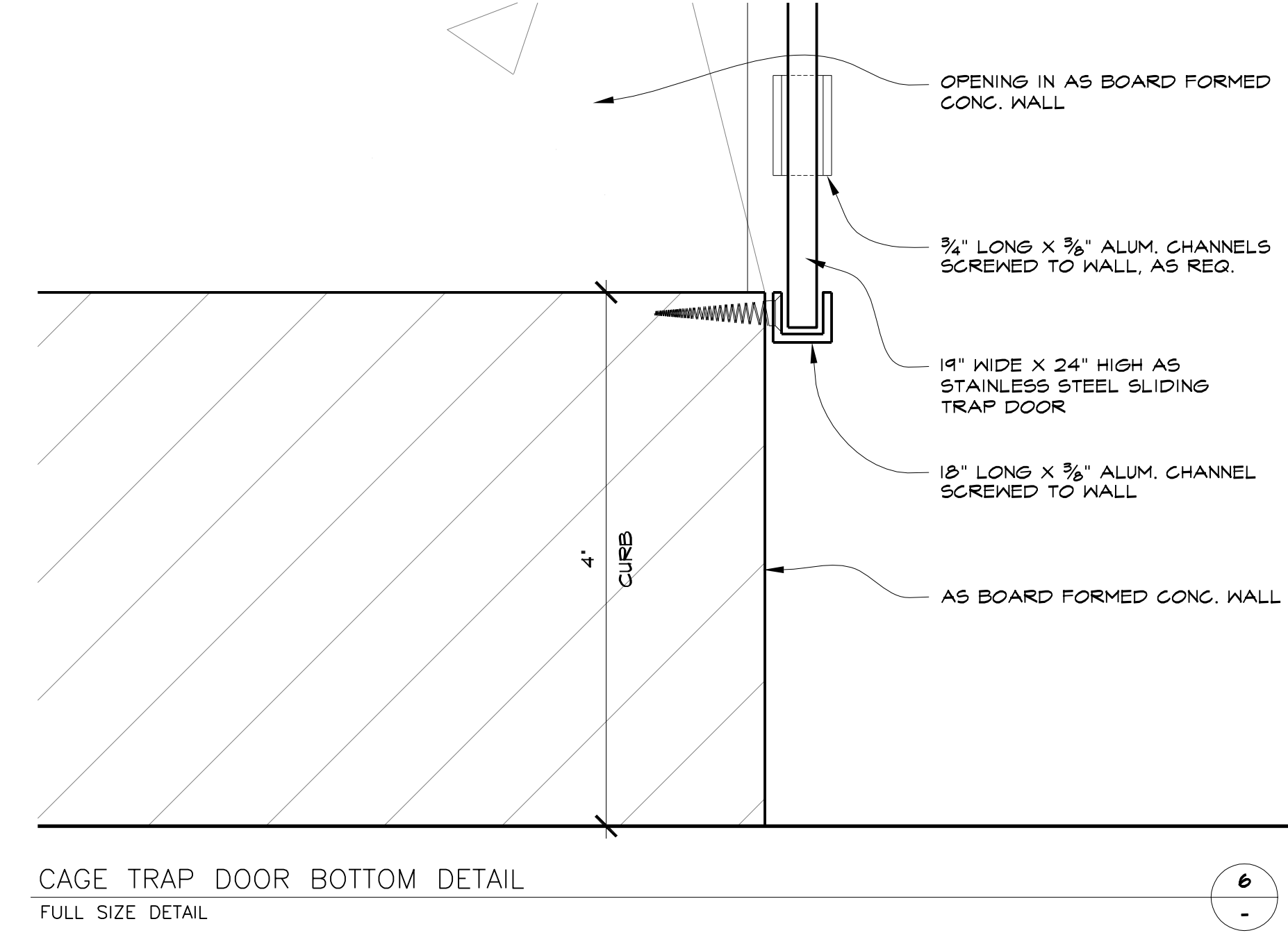
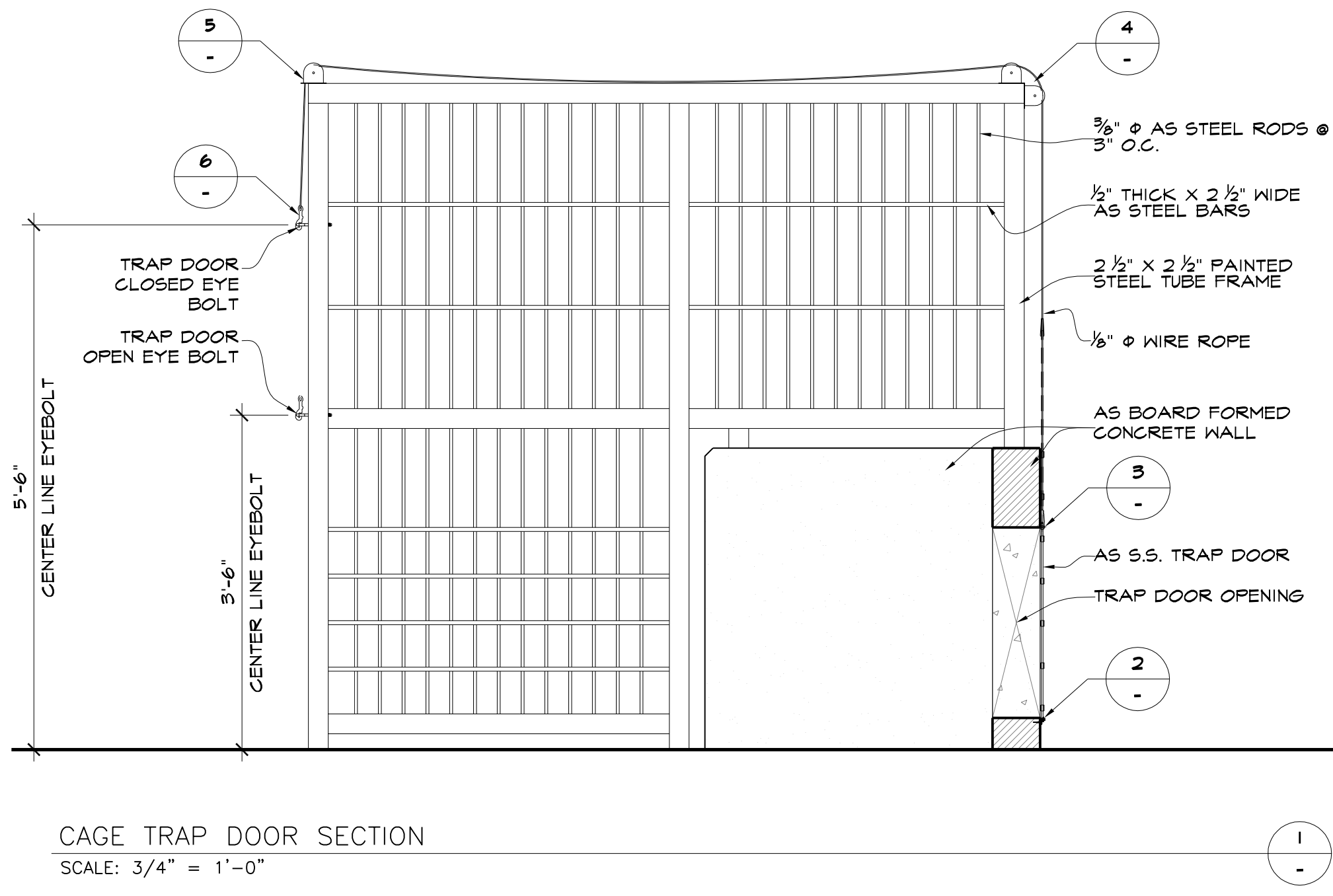
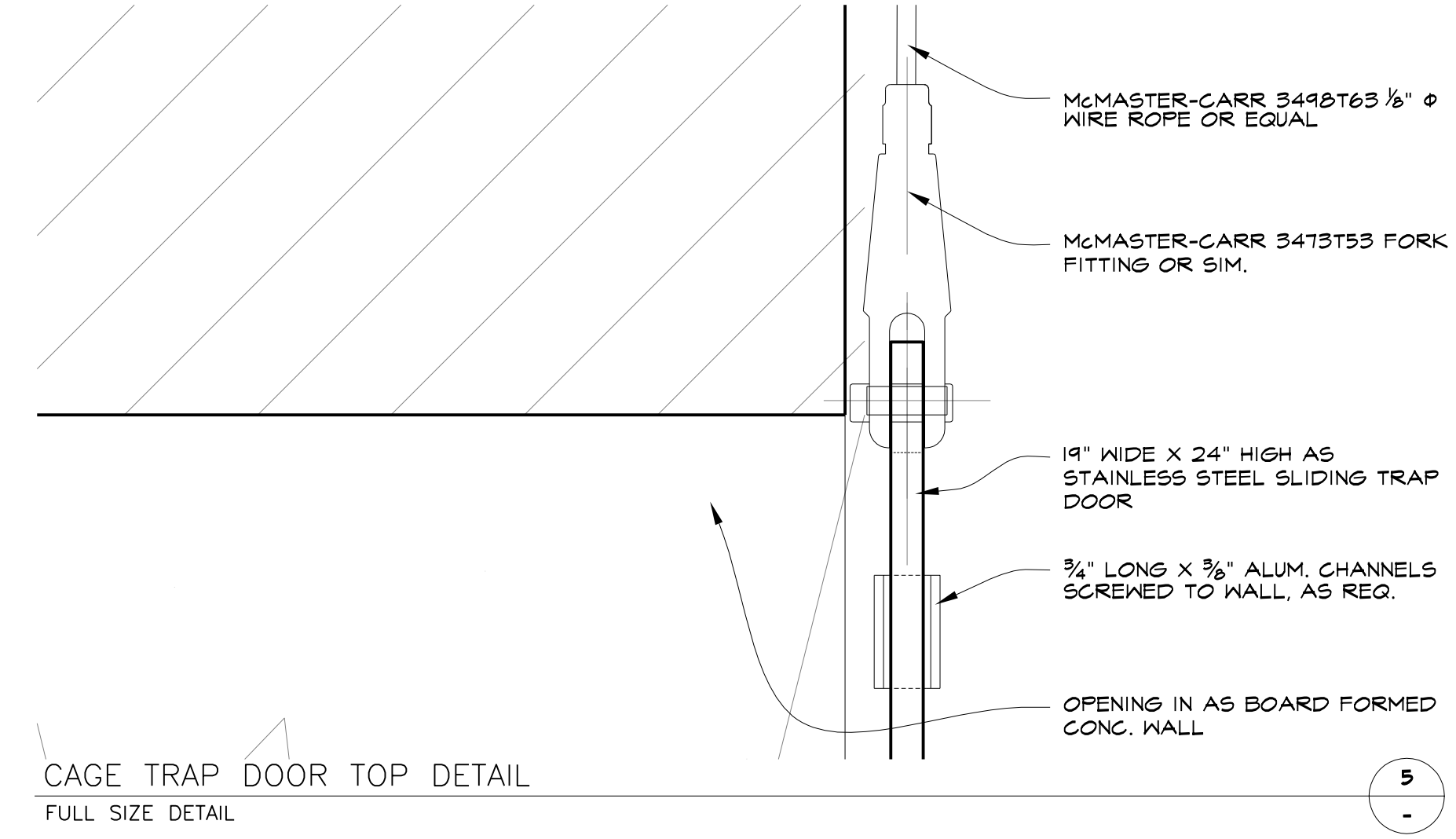
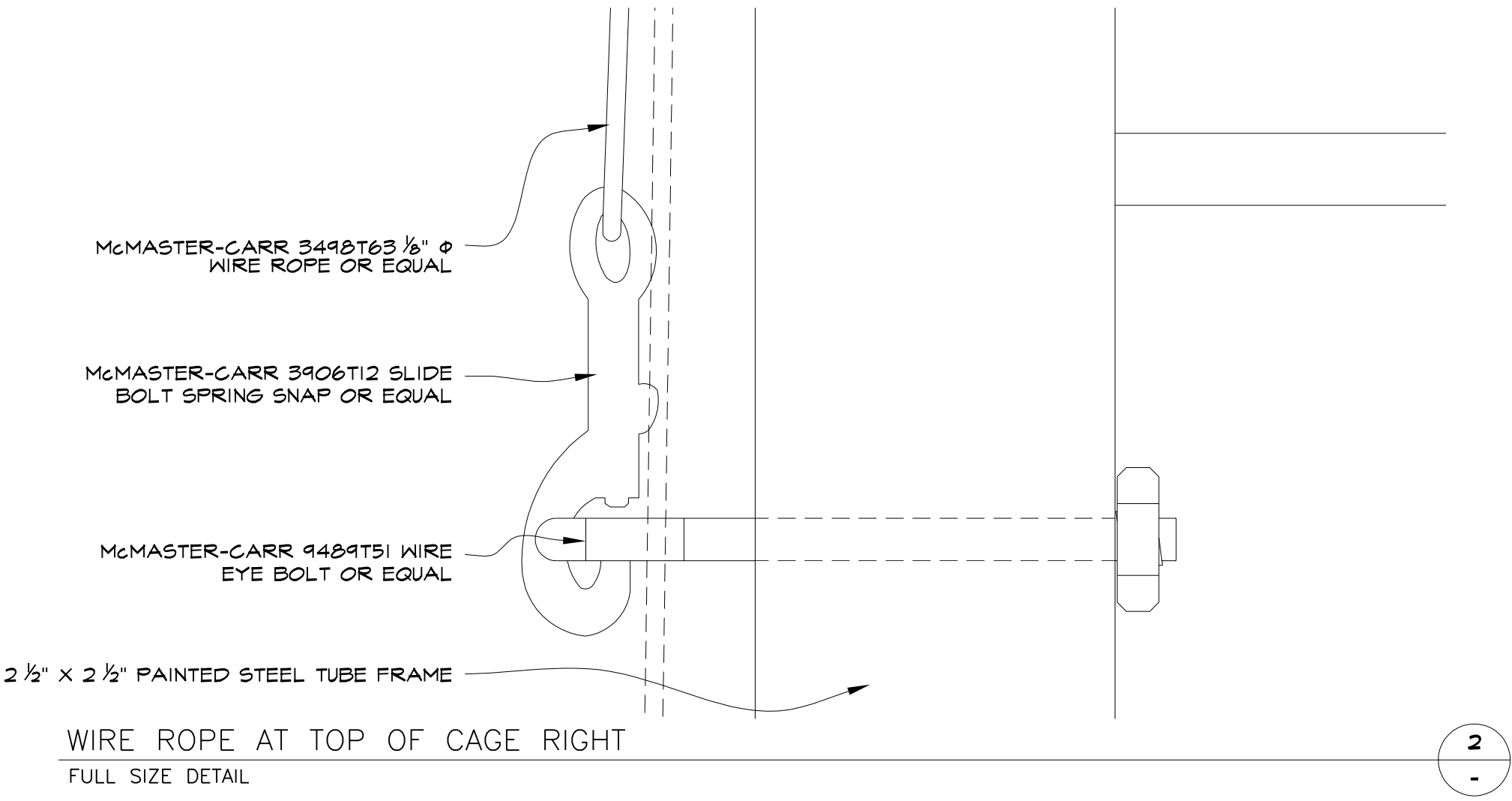
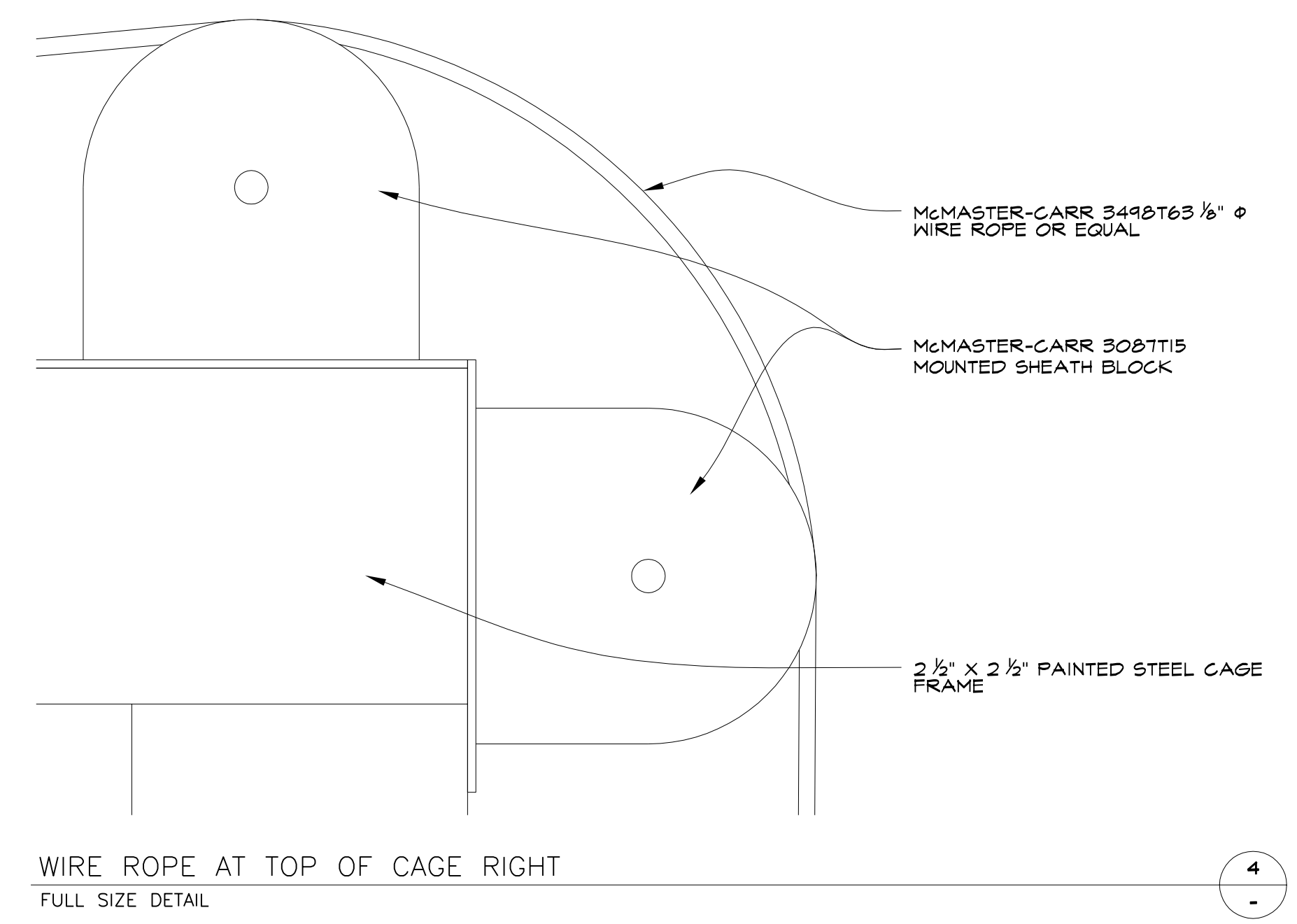
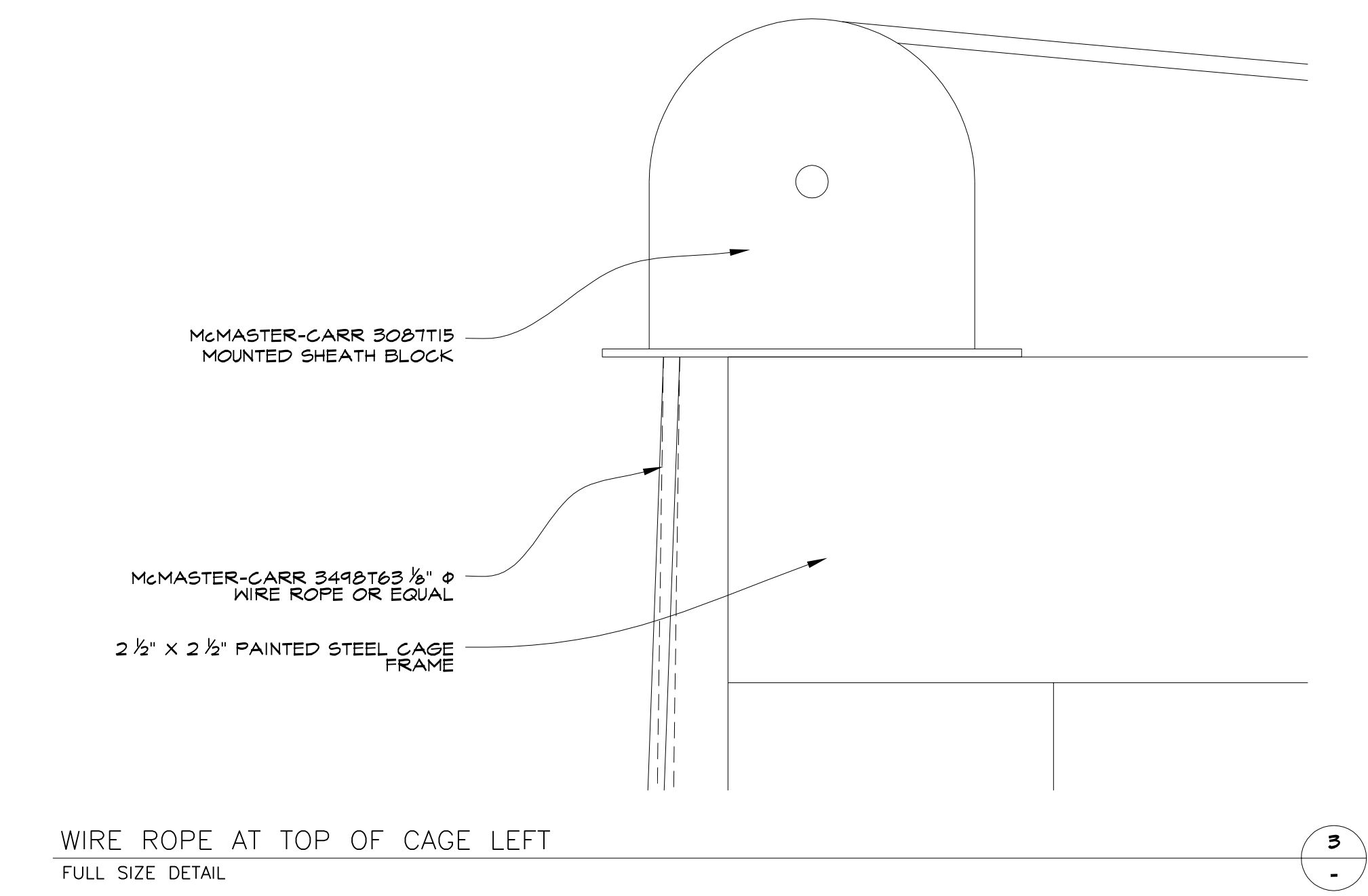
1  
3



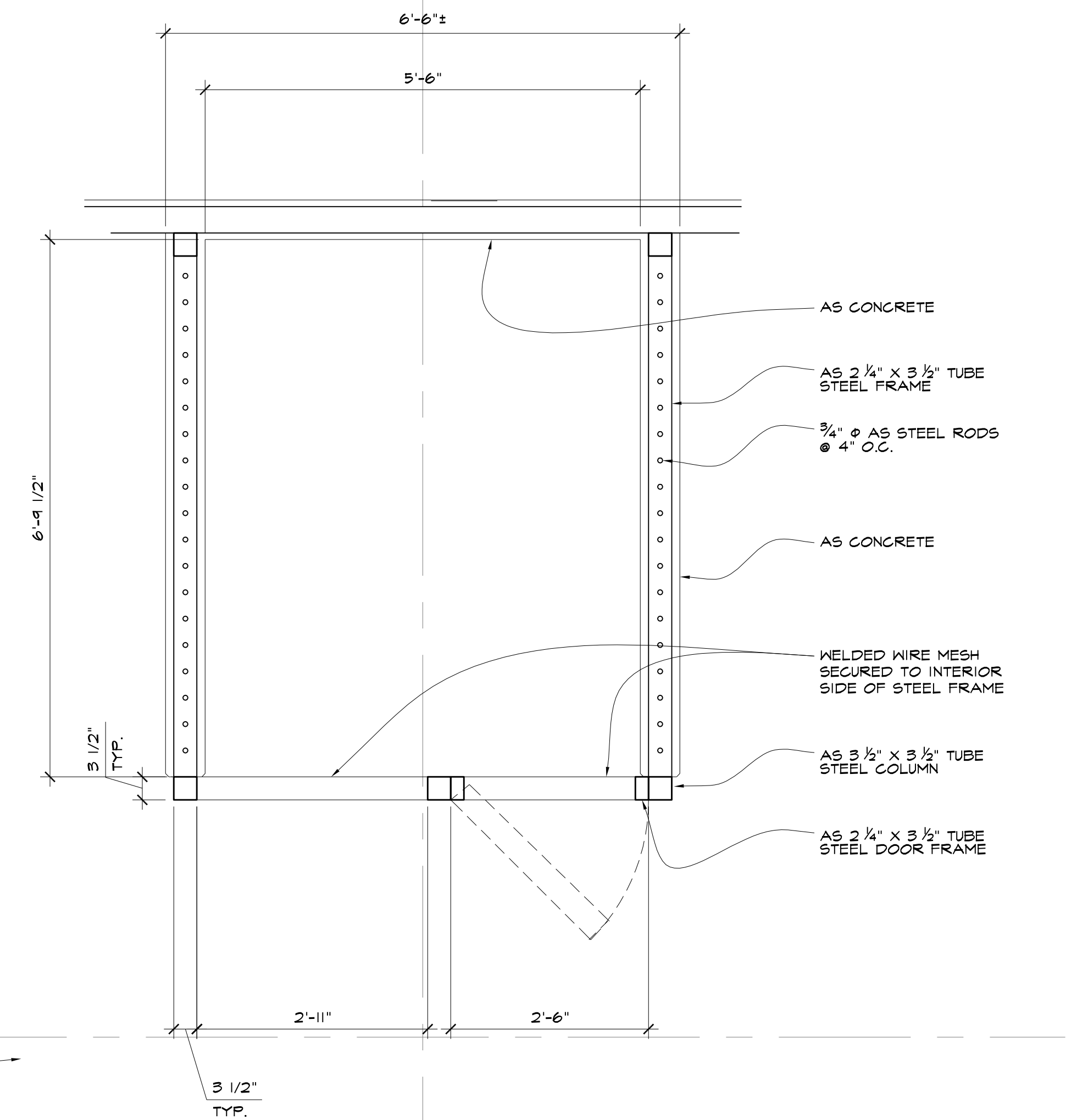
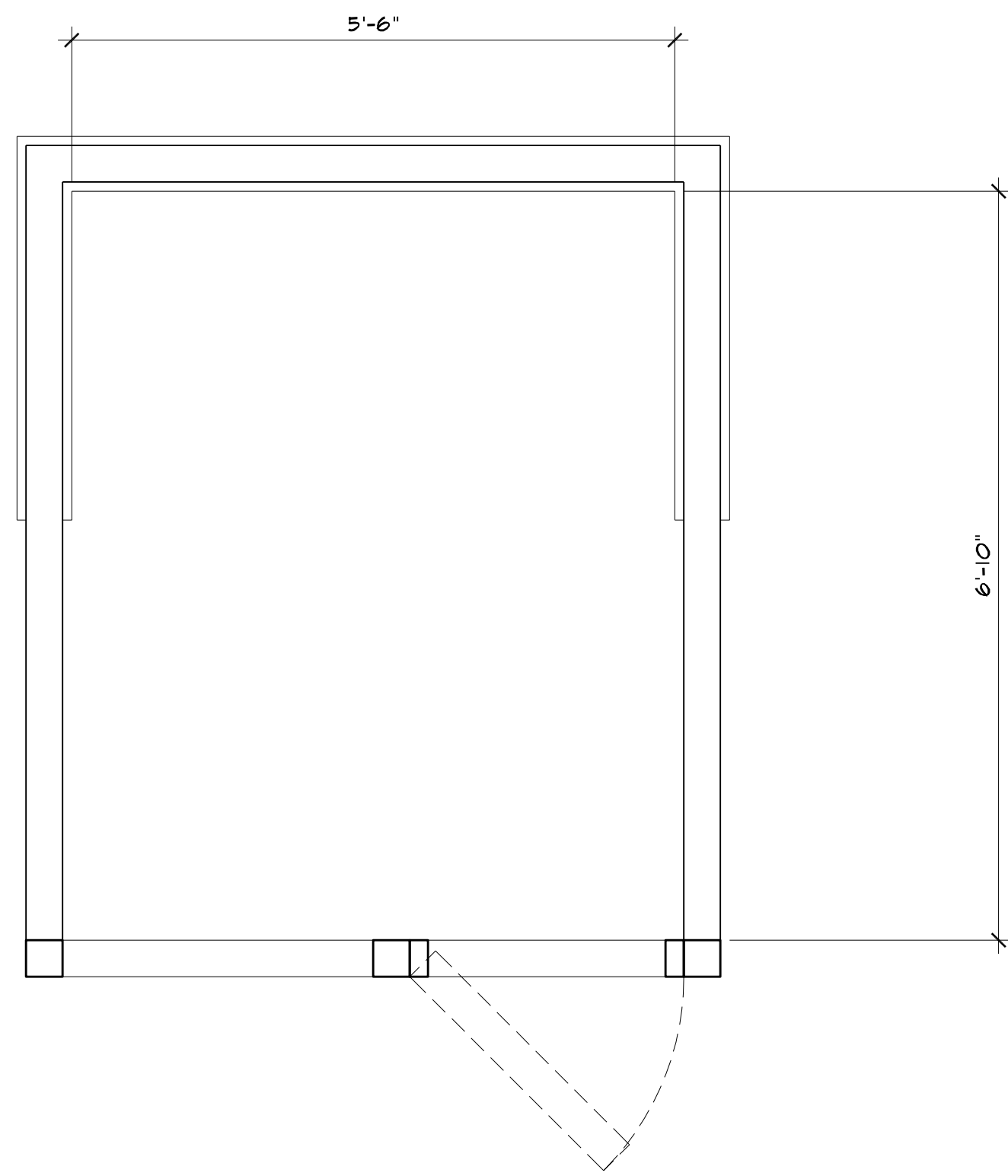
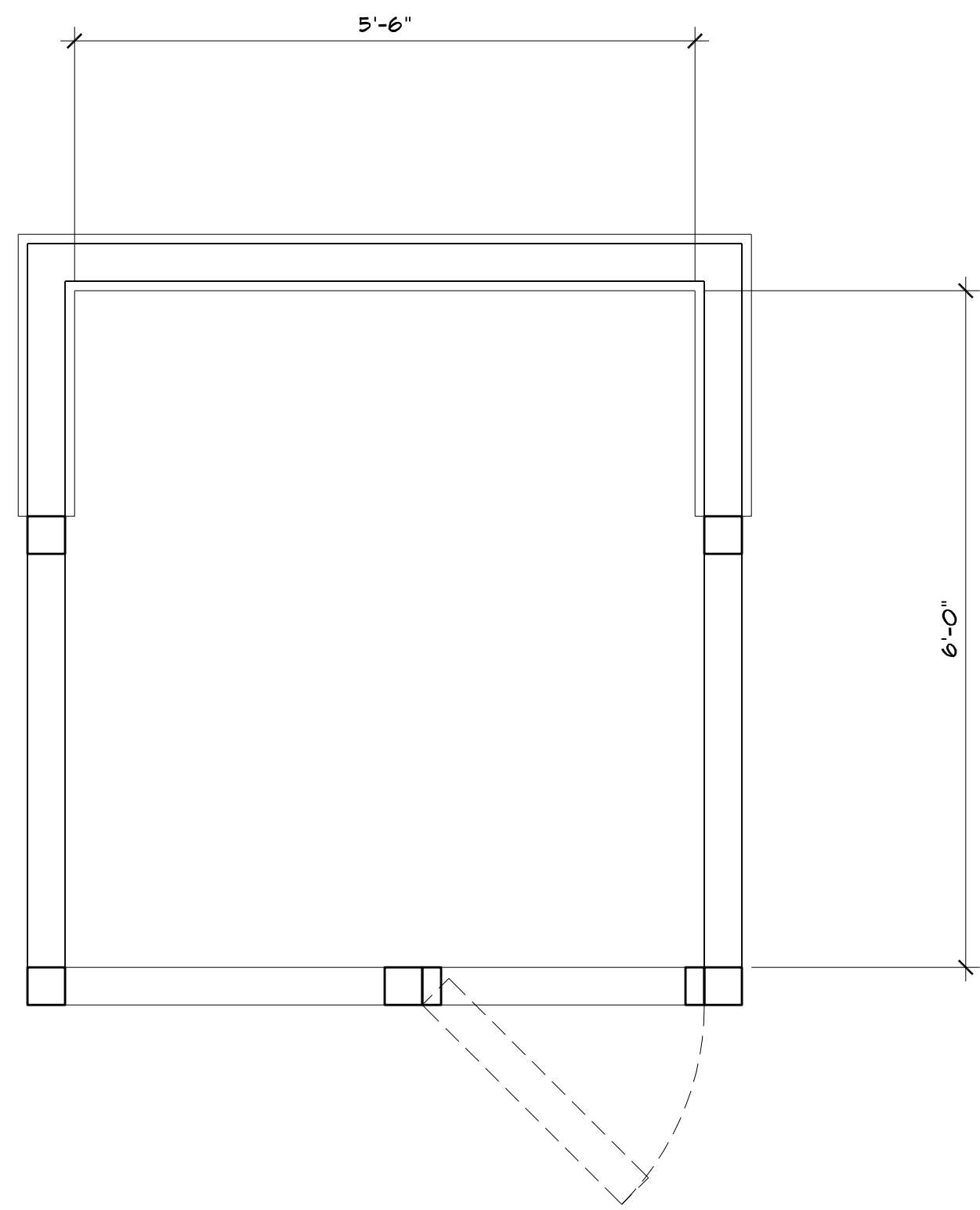
ENLARGED TYPICAL CAGE PLAN  
SCALE: 3/4" = 1'-0"

5  
3

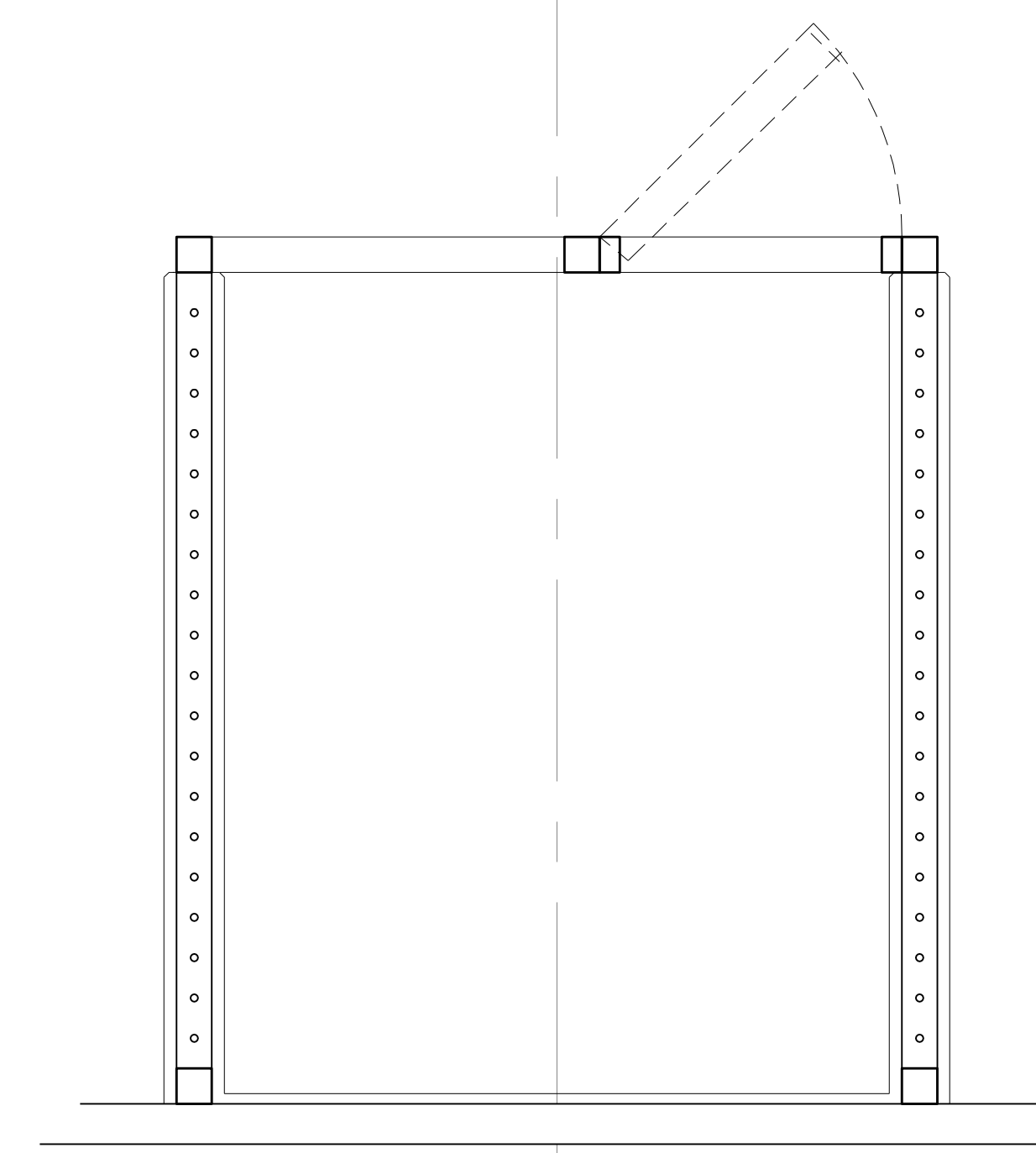
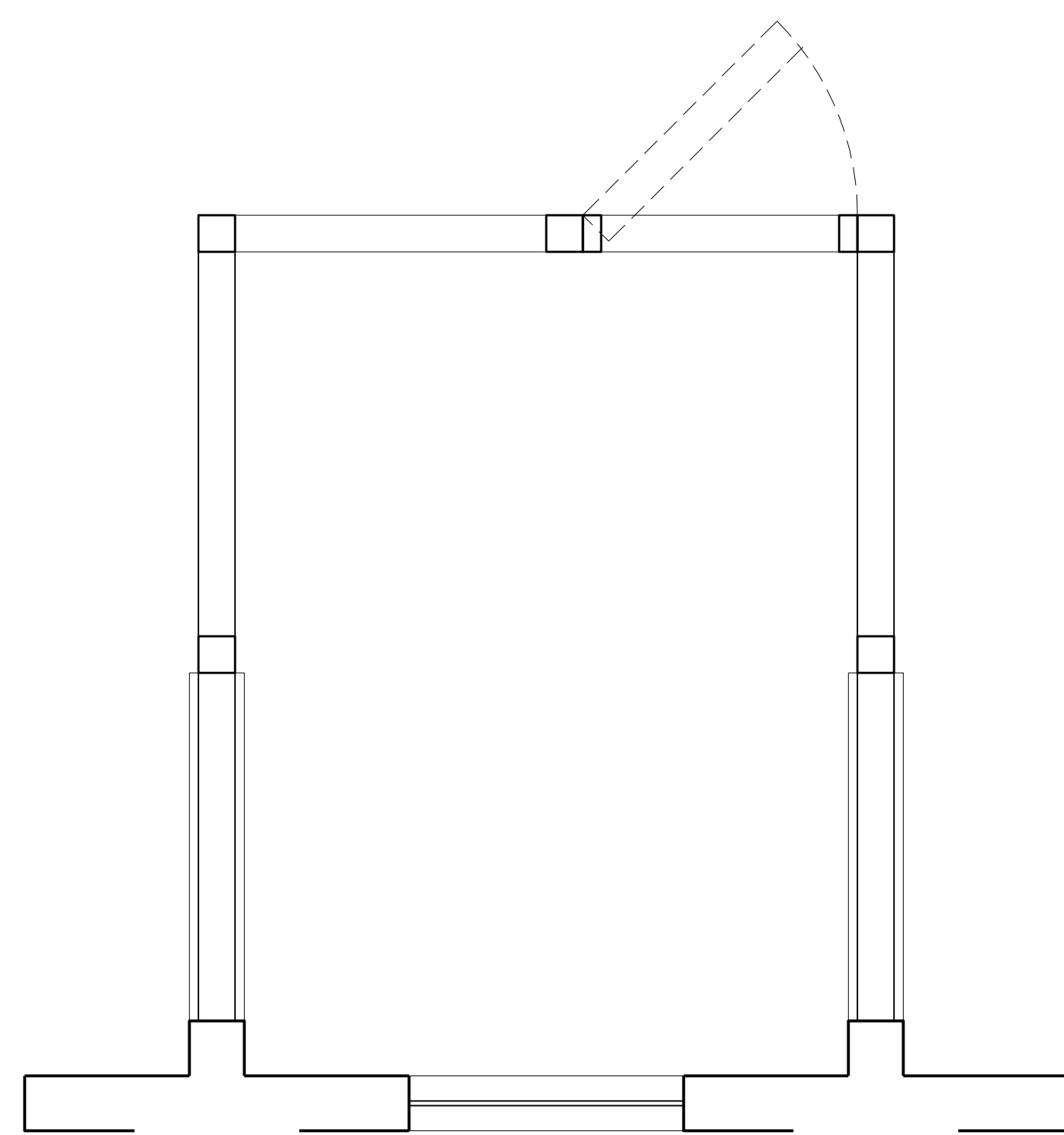
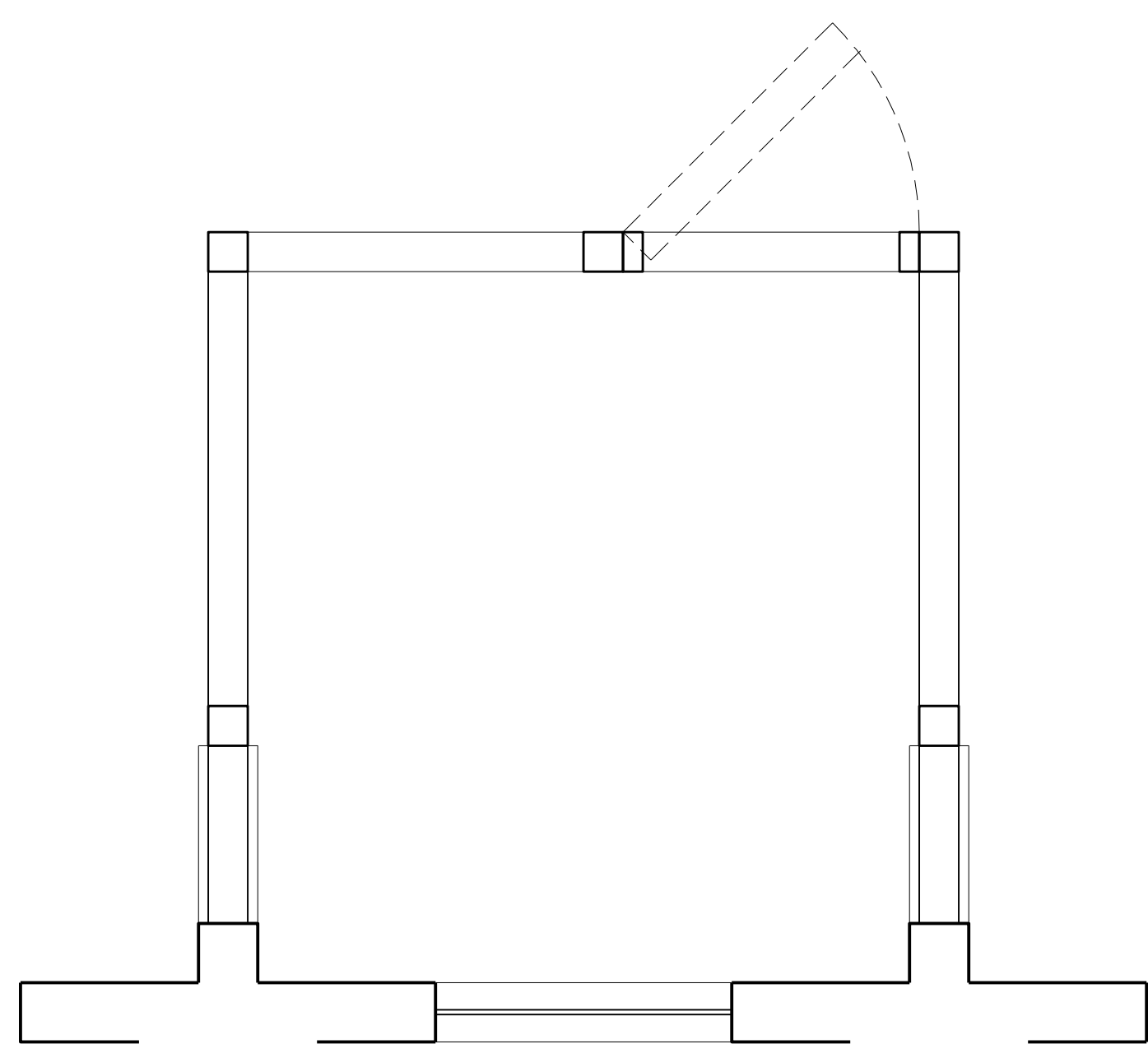
<b>Shaggy Dog</b>		SET NO: 127
DIRECTOR: BRIAN ROBBINS		SET NAME: Int. Dog Pound
EXEC. PROD: William Fay		DRAWING: RCP & Details
PROD. DES: Leslie McDonald		SCALE: As Noted
DR. PHOTO: Gabriel Bernstein		DATE: 11/26/07
ART. DR.: Dan Dorrance		DESIGNER: JEFF BECK
		REVISION: SHEET # 3



<b>Shaggy Dog</b>		SET NO: 127
		SET NAME: Int. Dog Pound
		DRAWING: Details
		SCALE: As Noted
DIRECTOR: BRIAN ROBBINS		DESIGNER: JEFF BECK
EXEC. PROD: William Fay		DATE: 11/26/07
PROD. DES: Leslie McDonald		REVISION:
DR. PHOTO: Gabriel Bernstein		SHEET #: 4
ART. DR.: Dan Dorrance		



aisle



SPCA Pasadena Animal Cage  
SCALE: 3/4" = 1'-0"

1

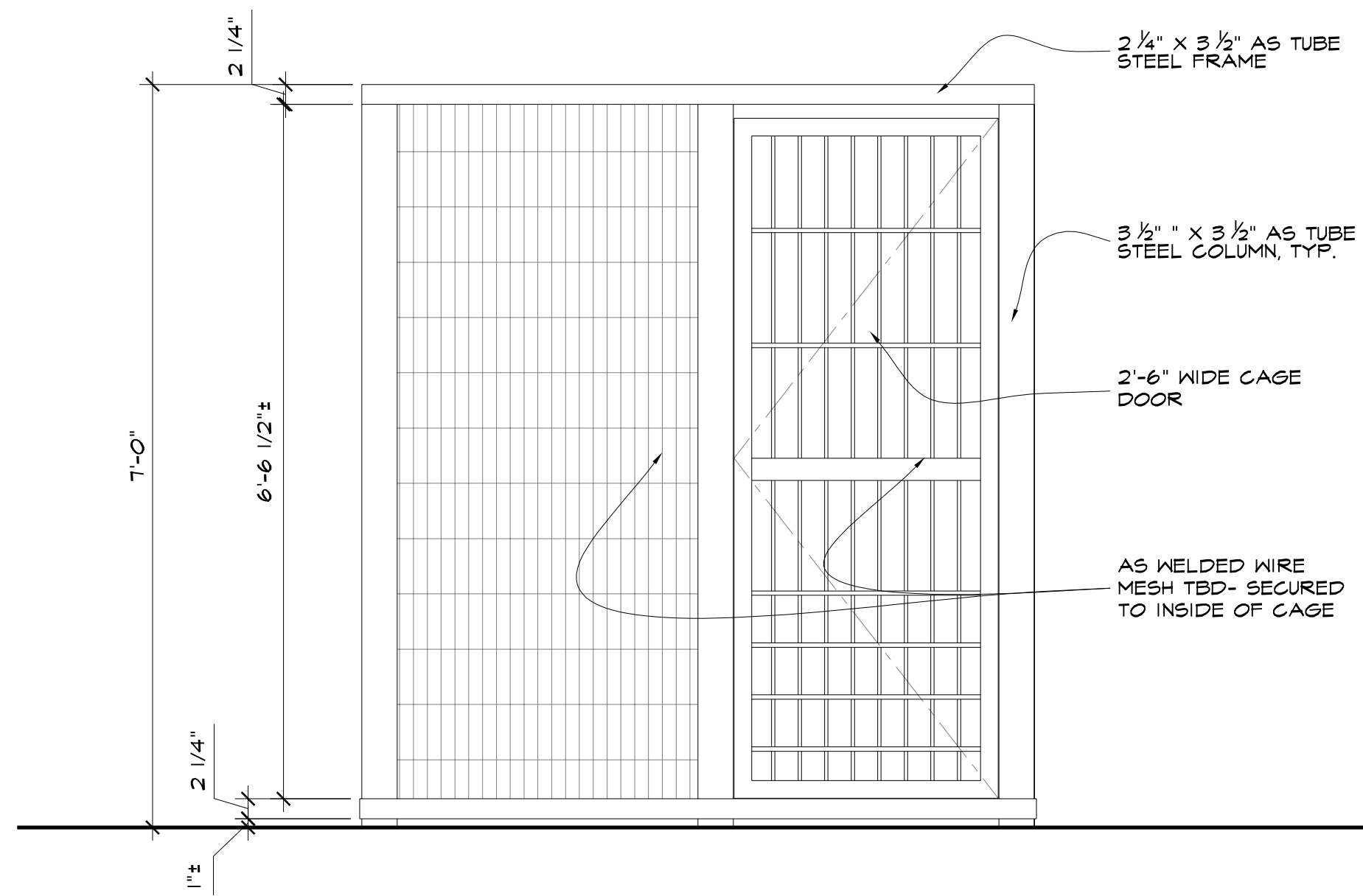
Animal Cage as Originally Designed  
SCALE: 3/4" = 1'-0"

2

Mock - Up Animal Cage  
SCALE: 3/4" = 1'-0"

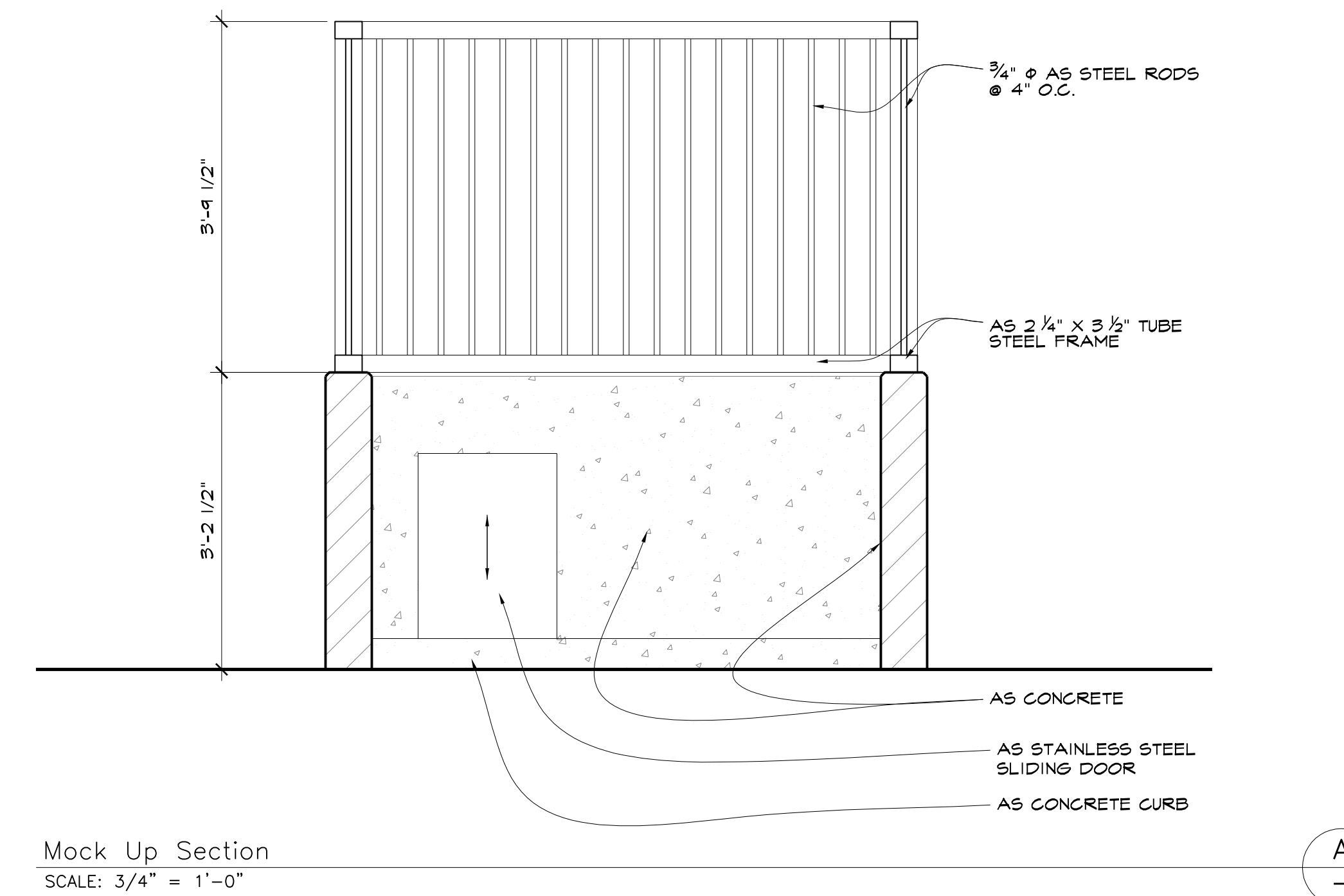
3

<b>Shaggy Dog</b>		SET No: 127 & 128
		SET NAME: Ext. Dog Pound
		DRAWING: Comparison Plans
DIRECTOR: BRIAN ROBBINS		SCALE: 3/4" = 1'-0"
EXEC PROD: William Fay	DATE: 11/26/07	DESIGNER: JEFF BECK
PROD DES: Leslie McDonald	REVISION:	SHEET #:
DIR PHOTO: Gabriel Berstain		
ART DIR: Dan Dorrance		



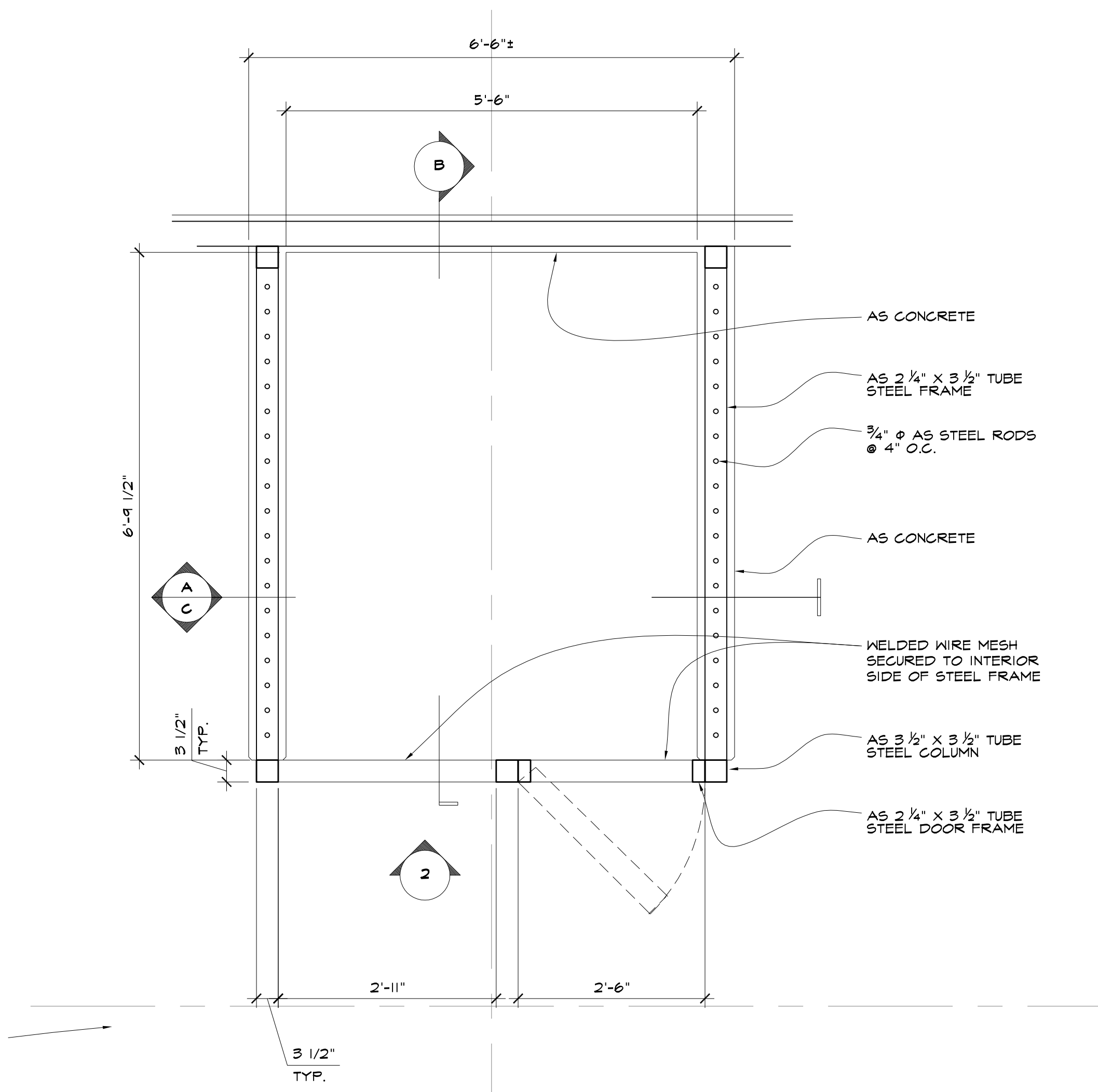
Mock Up Elevation  
SCALE: 3/4" = 1'-0"

2  
—



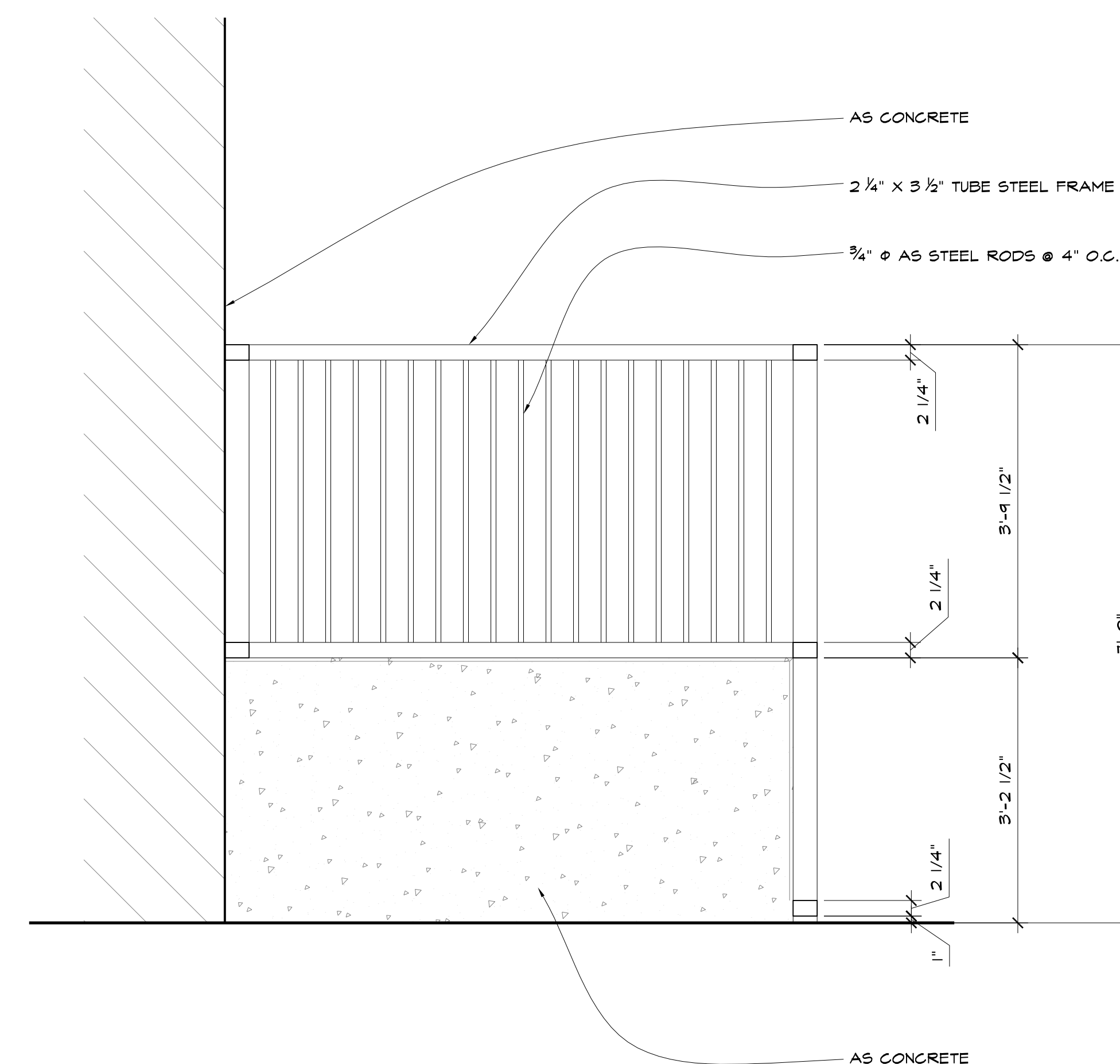
Mock Up Section  
SCALE: 3/4" = 1'-0"

A  
—



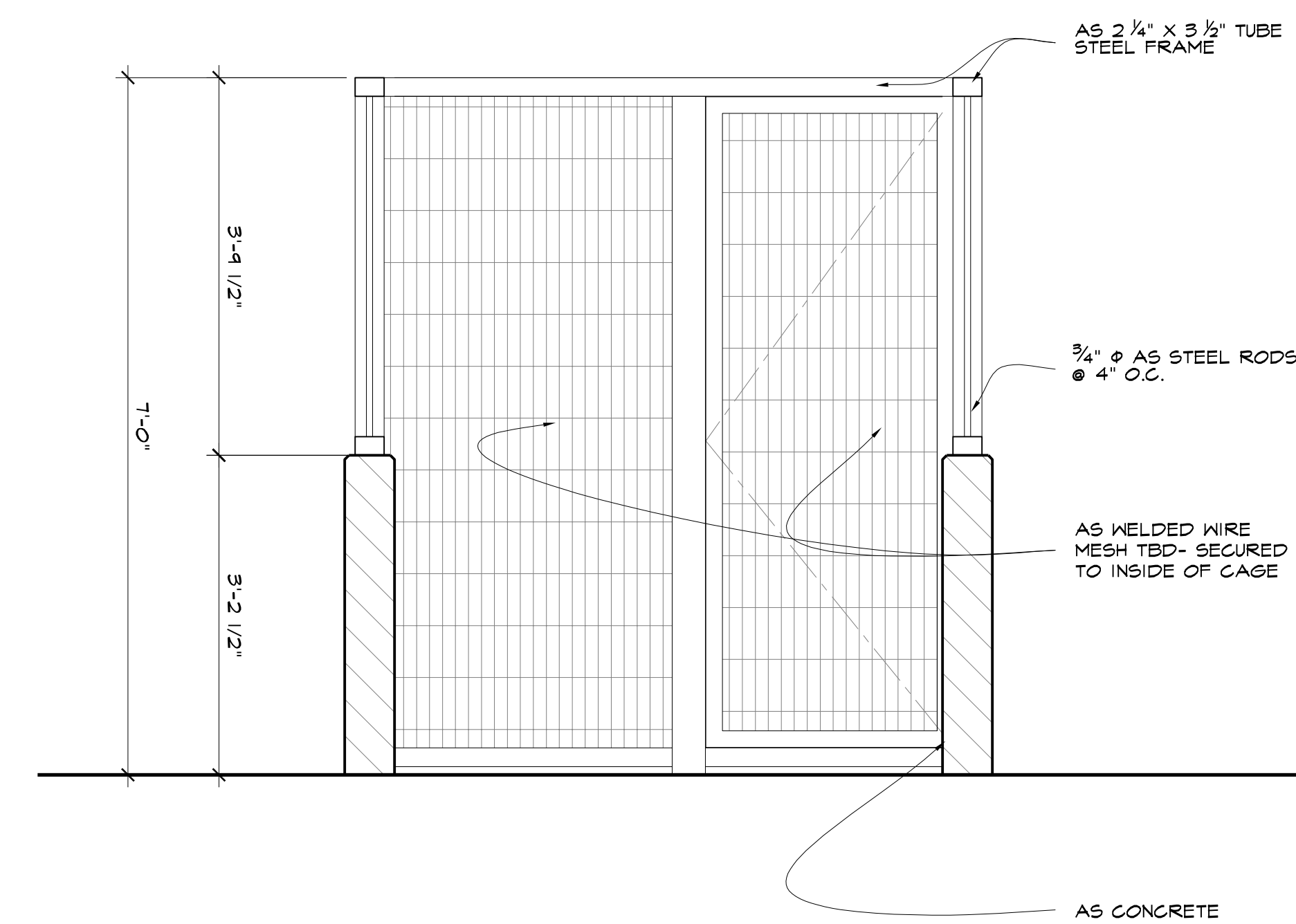
Mock Up Plan  
SCALE: 3/4" = 1'-0"

1  
—



Mock Up Section  
SCALE: 3/4" = 1'-0"

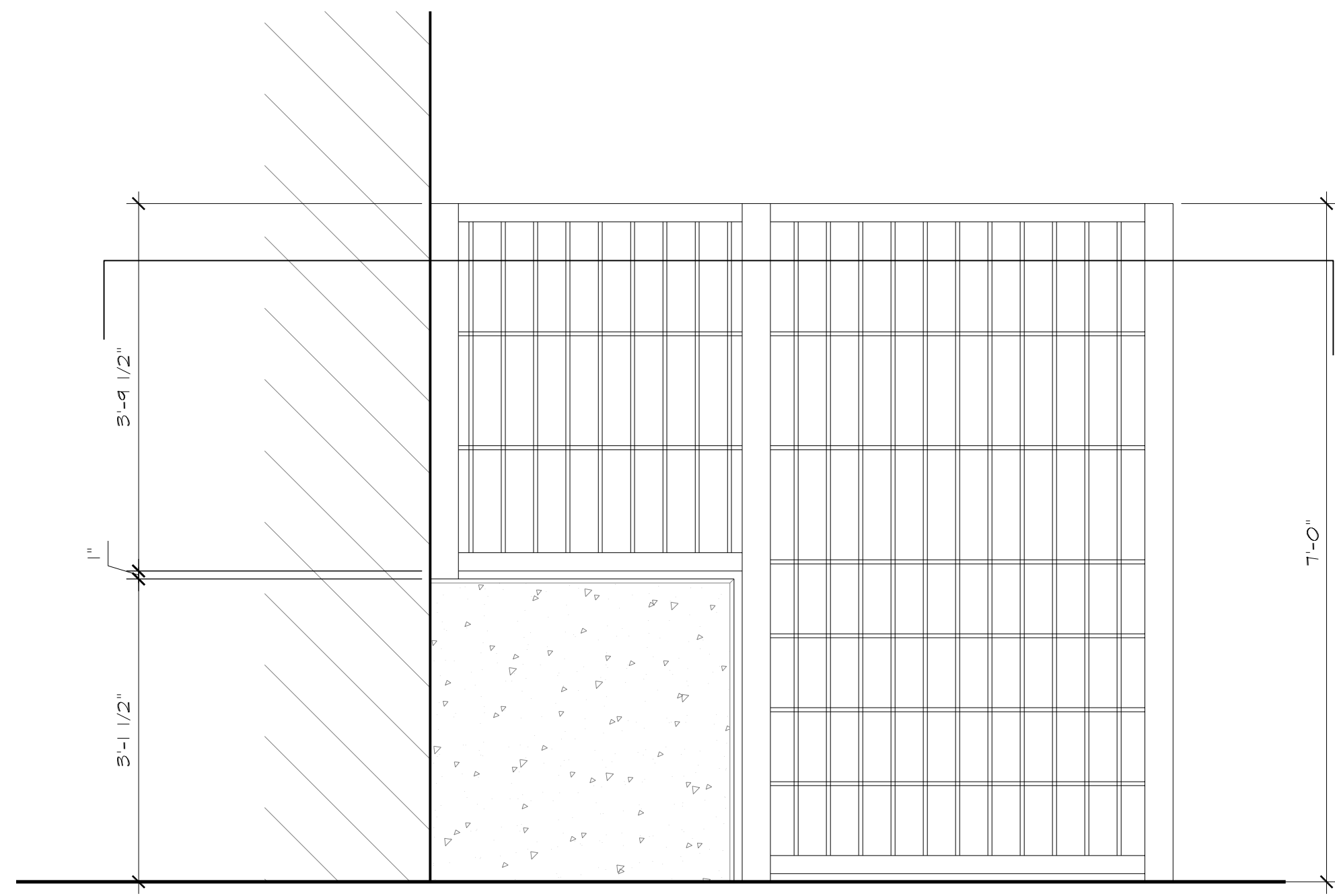
B  
—



Mock Up Section  
SCALE: 3/4" = 1'-0"

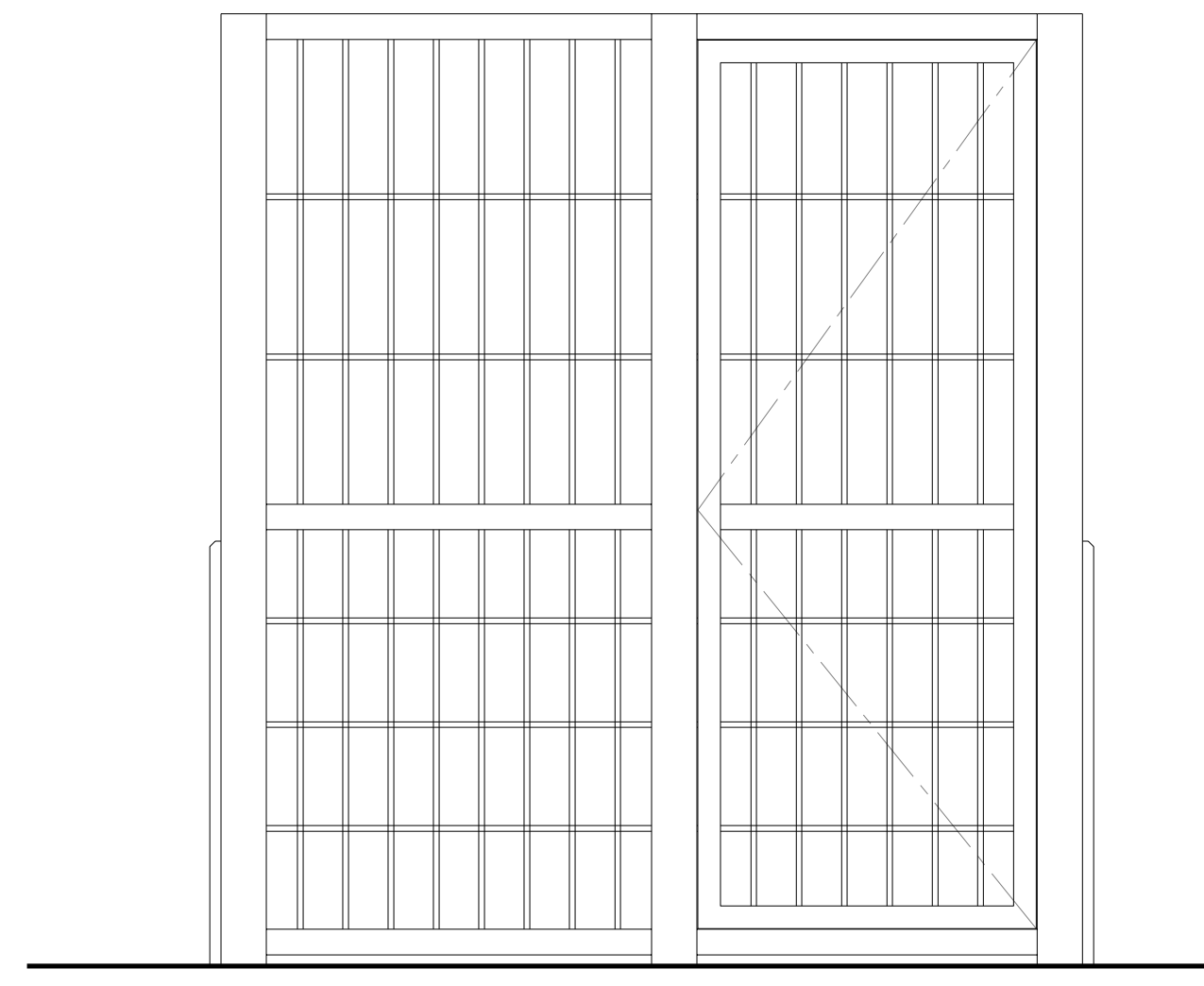
C  
—

<b>Shaggy Dog</b>		SET No: 127 & 128 Mock-Up
		SET NAME: Ext. Dog Pound
		DRAWING: Mock Up Plan, Scin & Elevs
DIRECTOR: BRIAN ROBBINS	DATE: 3/4" = 1'-0"	DESIGNER: JEFF BECK
EXEC PROD: William Fay	DATE: 11/26/07	REVISION:
PROD DES: Leslie McDonald		
DIR. PHOTO: Gabriel Berstain		
ART DIR: Dan Dorrance		



Cage Study Elevation  
SCALE: 3/4" = 1'-0"

3  
—

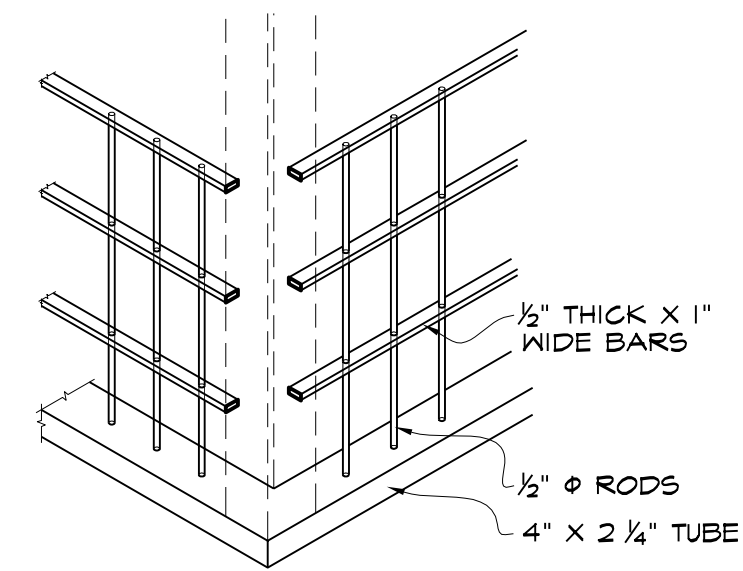


Cage Study Elevation  
SCALE: 3/4" = 1'-0"

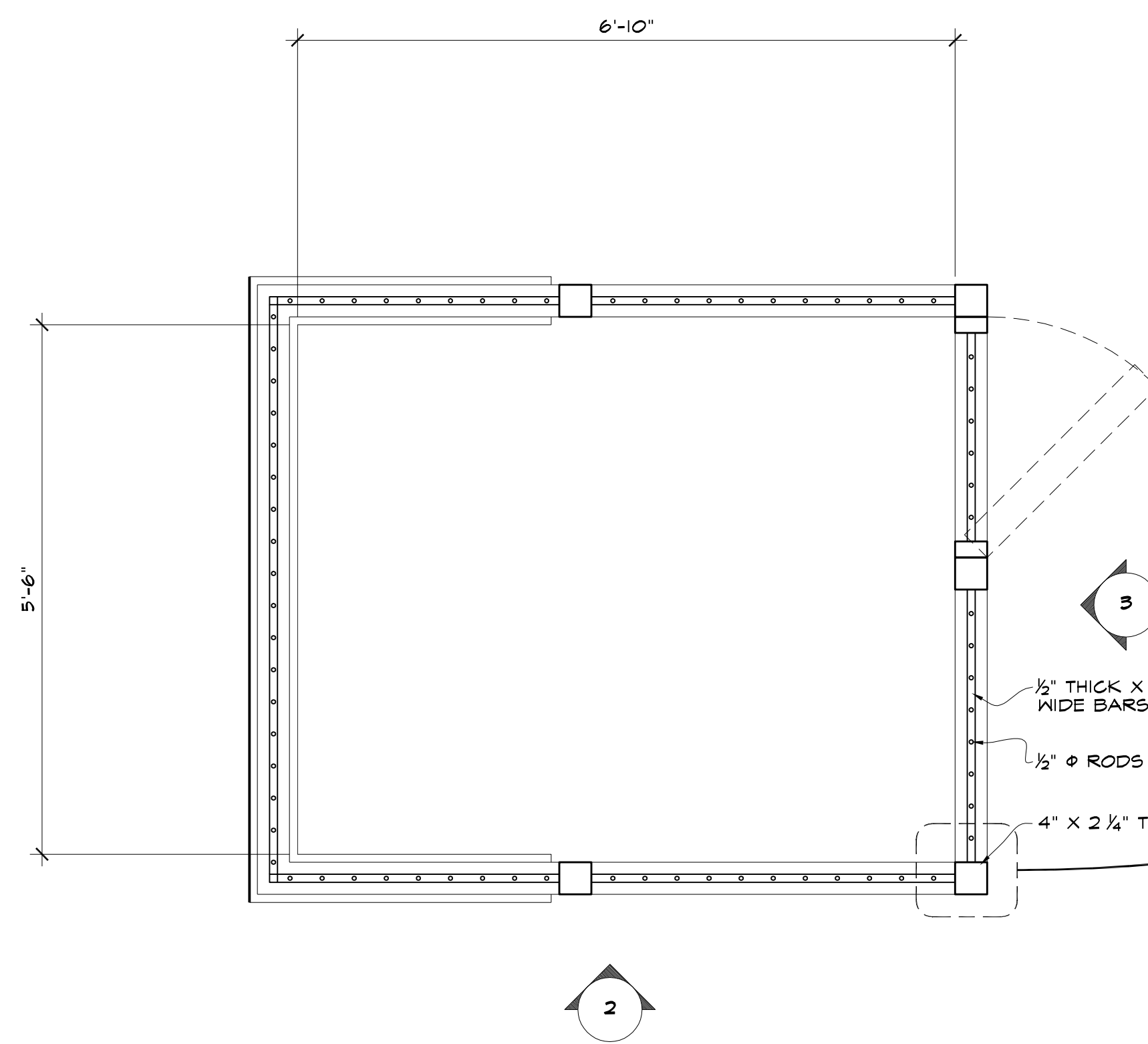
3  
—



SURVEYED LOCATION

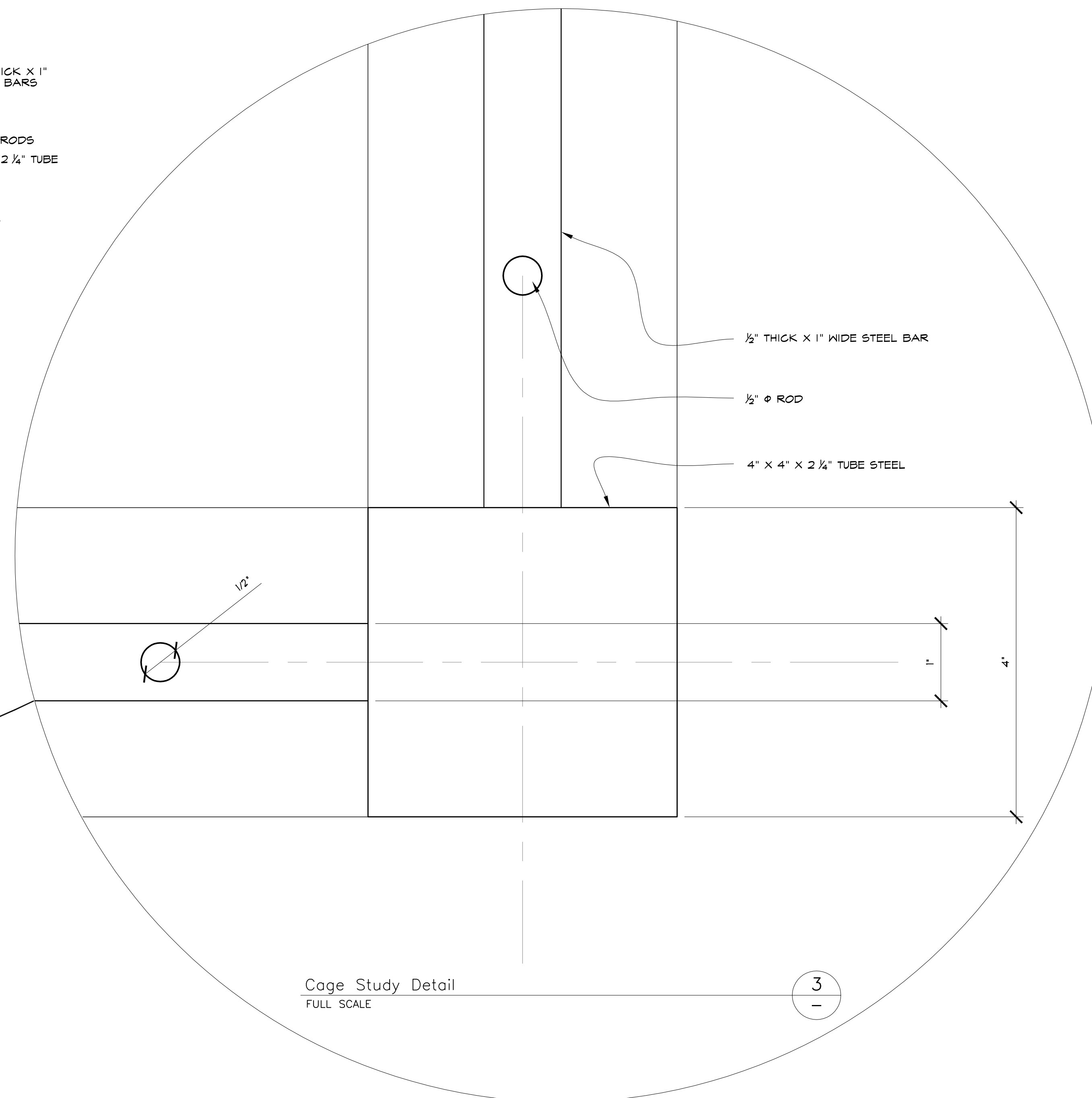


Cage Study Isometric  
SCALE: 3/4" = 1'-0"



Cage Study Plan  
SCALE: 3/4" = 1'-0"

1  
—



Cage Study Detail  
FULL SCALE

3  
—



SURVEYED LOCATION

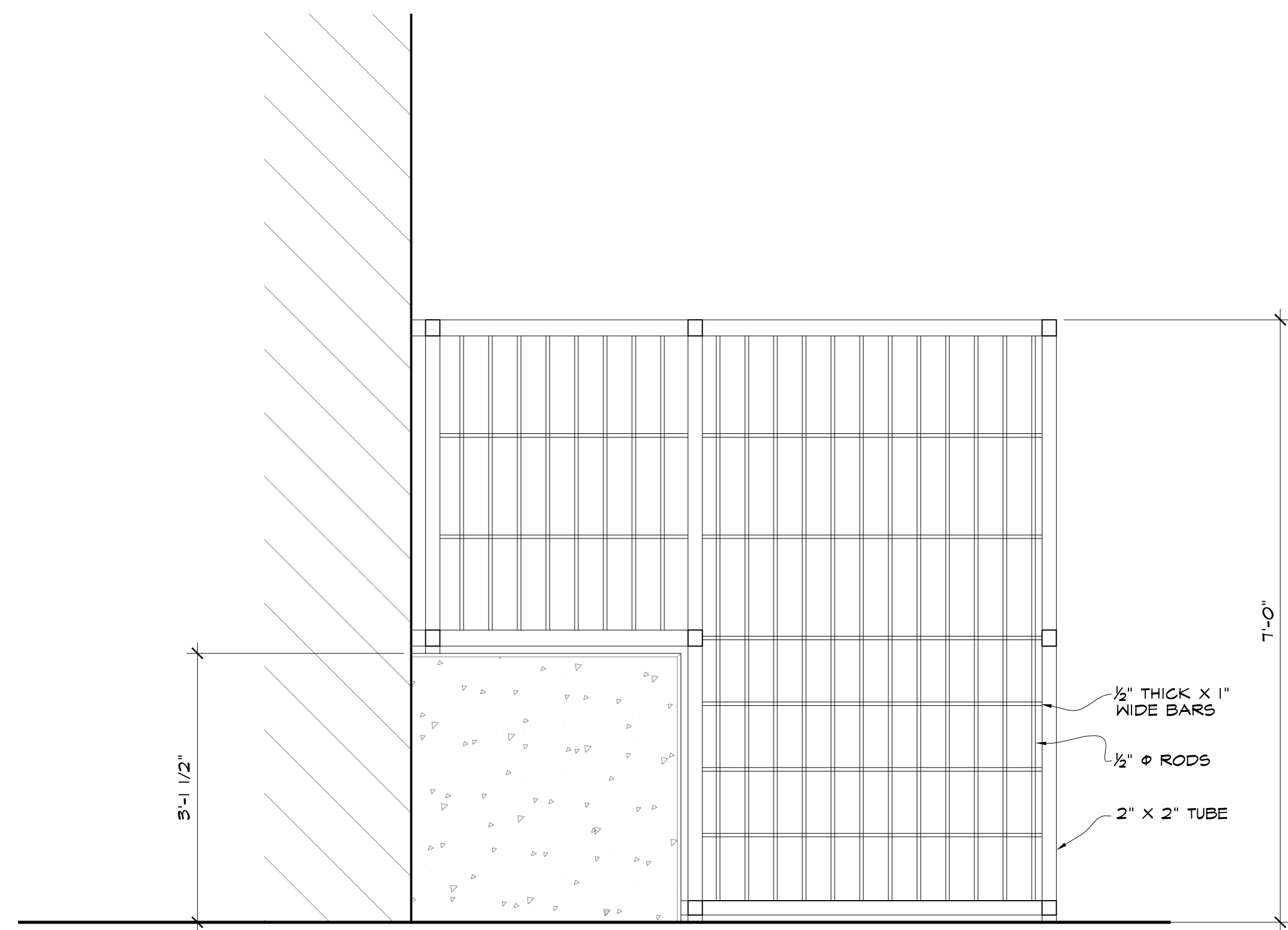
<b>Shaggy Dog</b>		SET No: 127 & 128 Mock-Up
DIRECTOR: BRIAN ROBBINS		SET NAME: Int. Dog Pound
EXEC PROD: William Fay		DRAWING: Cage Study I
PROJ DES: Leslie McDonald		SCALE: As Noted
DIR. PHOTO: Gabriel Benstein		DATE: 11/26/07
ART DIR: Dan Dorrance		DESIGNER: JEFF BECK
		REVISION:
		SHEET #:



PASADENA HUMANE SOCIETY

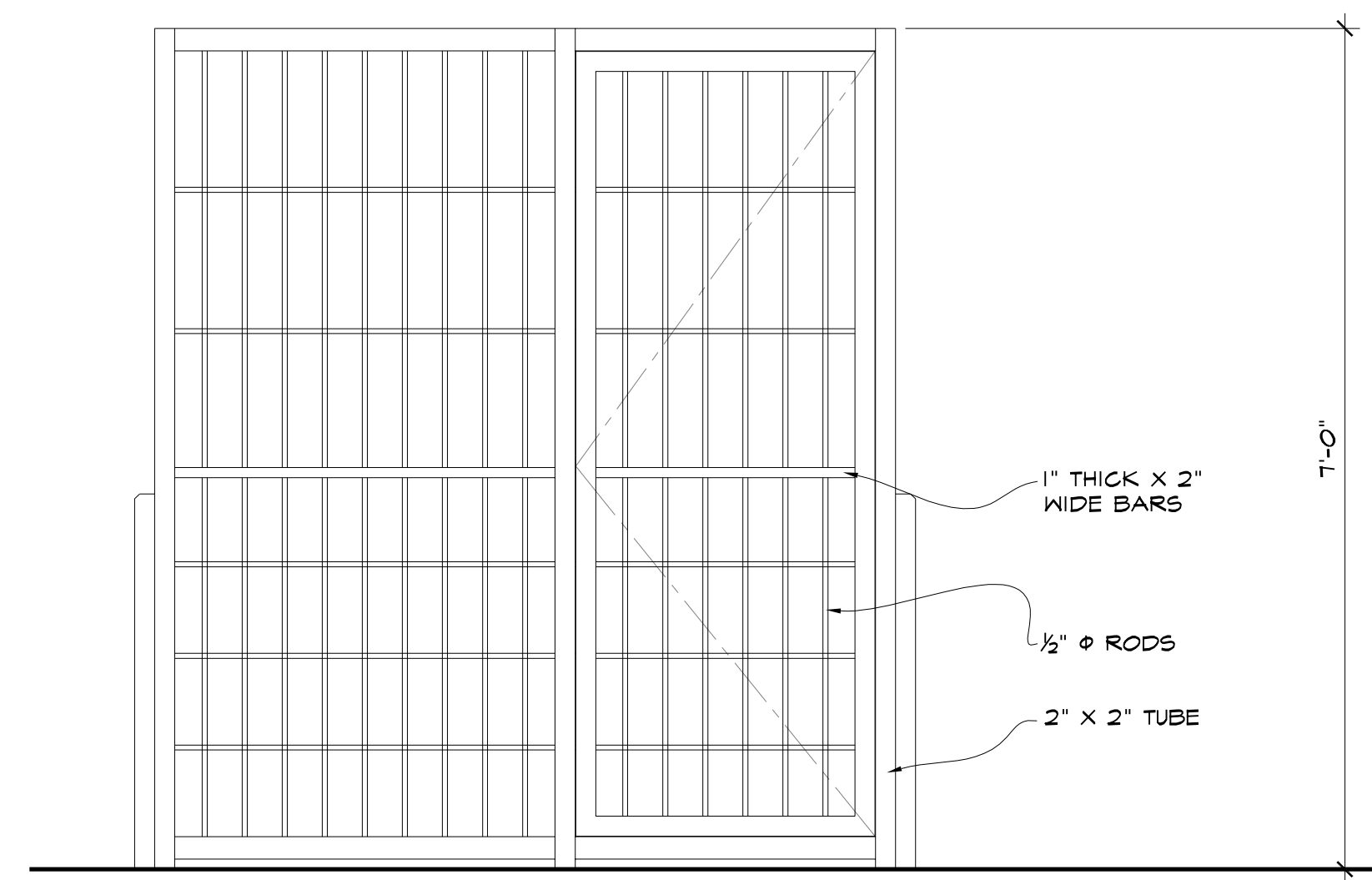


PASADENA HUMANE SOCIETY



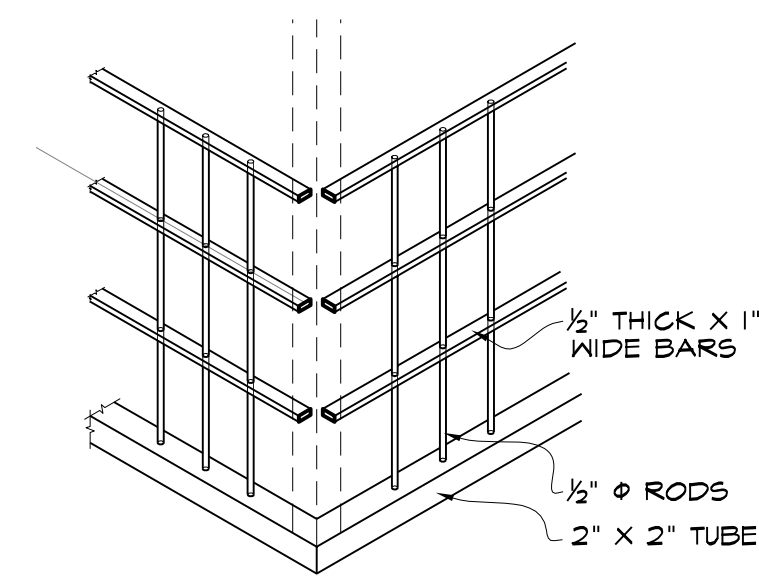
Cage Study Elevation  
SCALE: 3/4" = 1'-0"

2

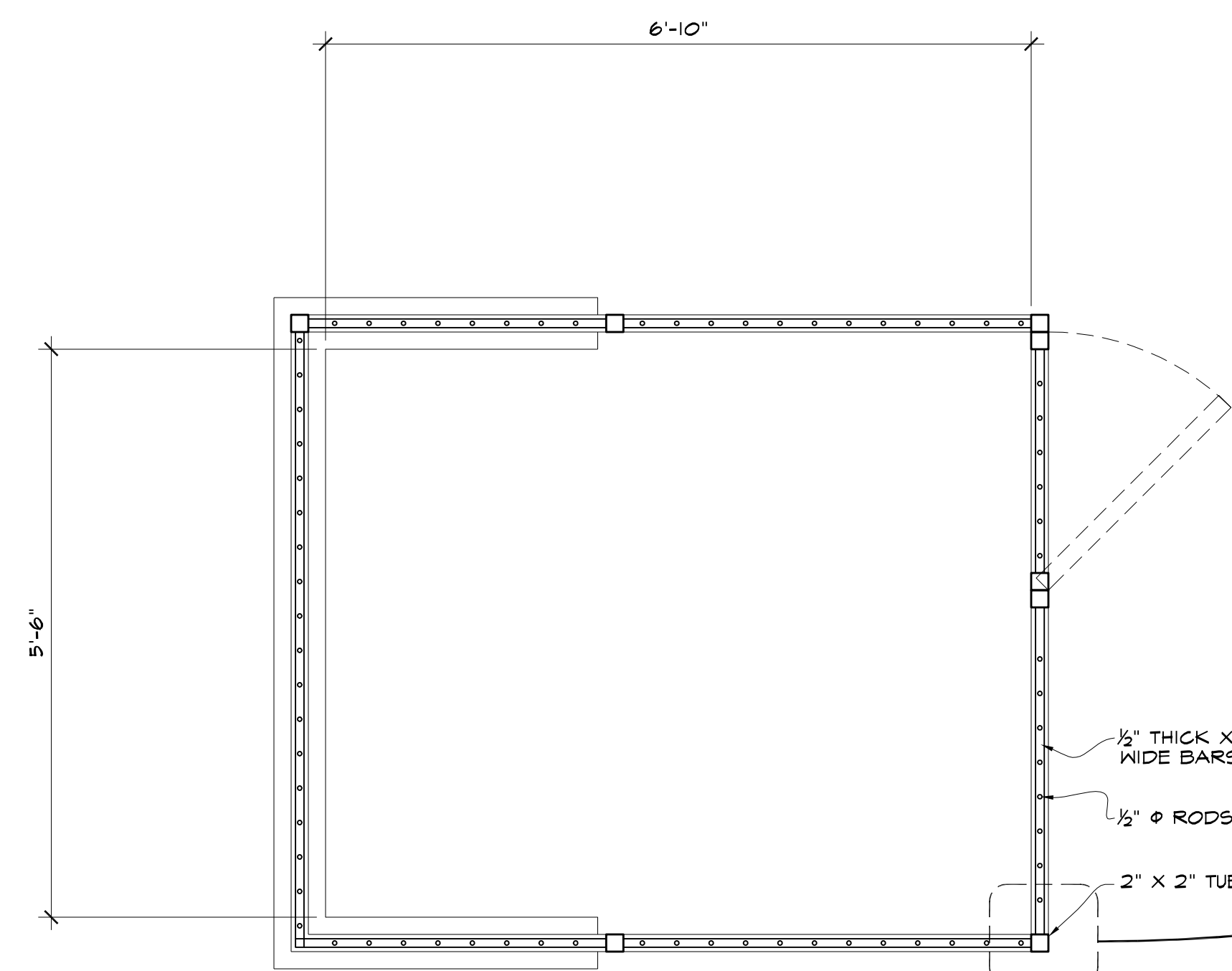


Cage Study Elevation  
SCALE: 3/4" = 1'-0"

2

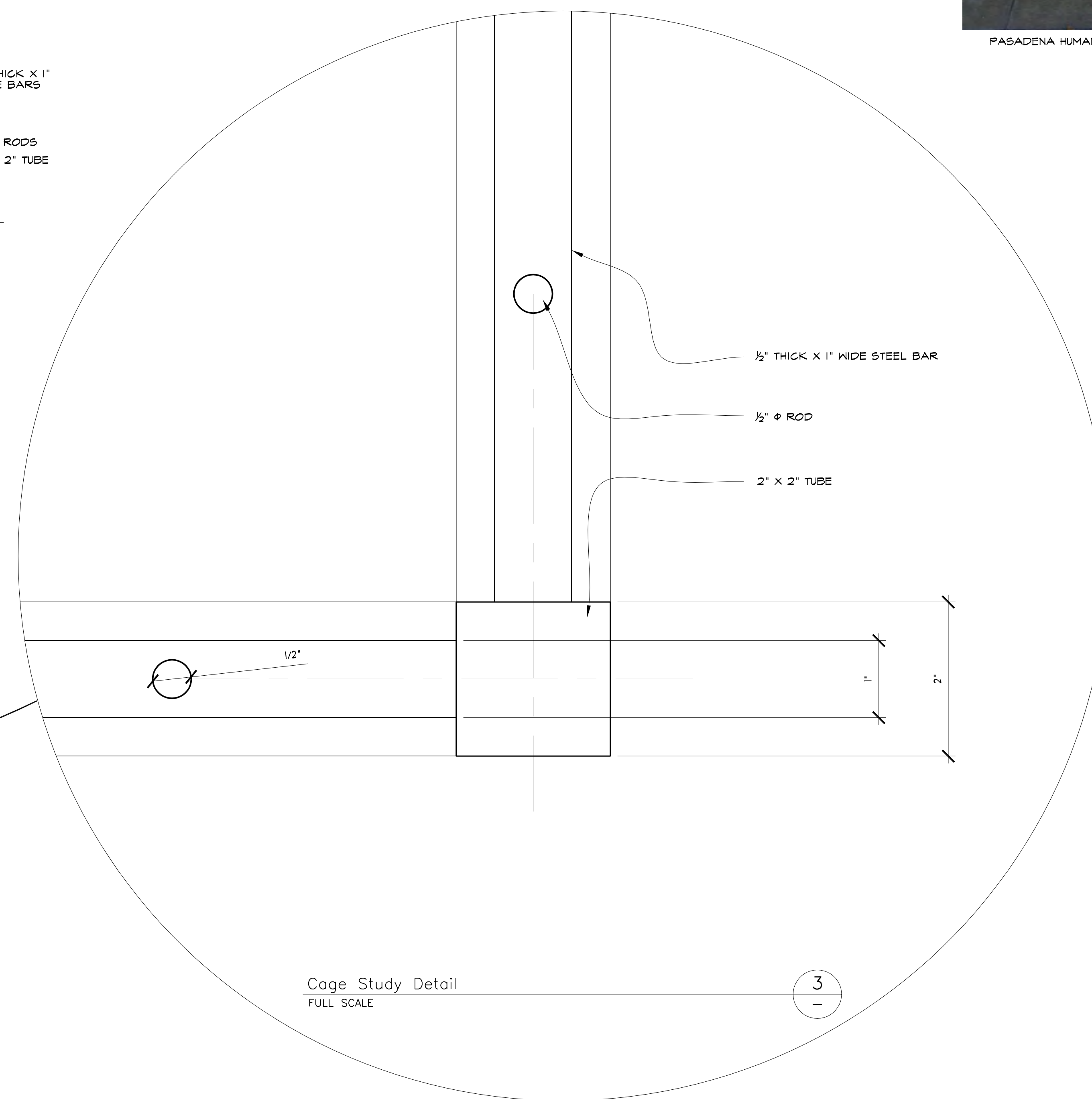


Cage Study Isometric  
SCALE: 3/4" = 1'-0"



Cage Study Plan  
SCALE: 3/4" = 1'-0"

1



Cage Study Detail  
FULL SCALE

3

<b>Shaggy Dog</b>		SET No: 127 & 128 Mock-Up
EXEC PRD: William Fay		SET NAME: Int. Dog Found
DIR. PHOTO: Gabriel Berstain		DRAWING: Cage Study 2
ART DIR: Dan Dorrance		SCALE: As Noted
PROJ DES: Leslie McDonald	DATE: 11/26/07	DESIGNER: JEFF BECK
	REVISION:	SHEET # 1













