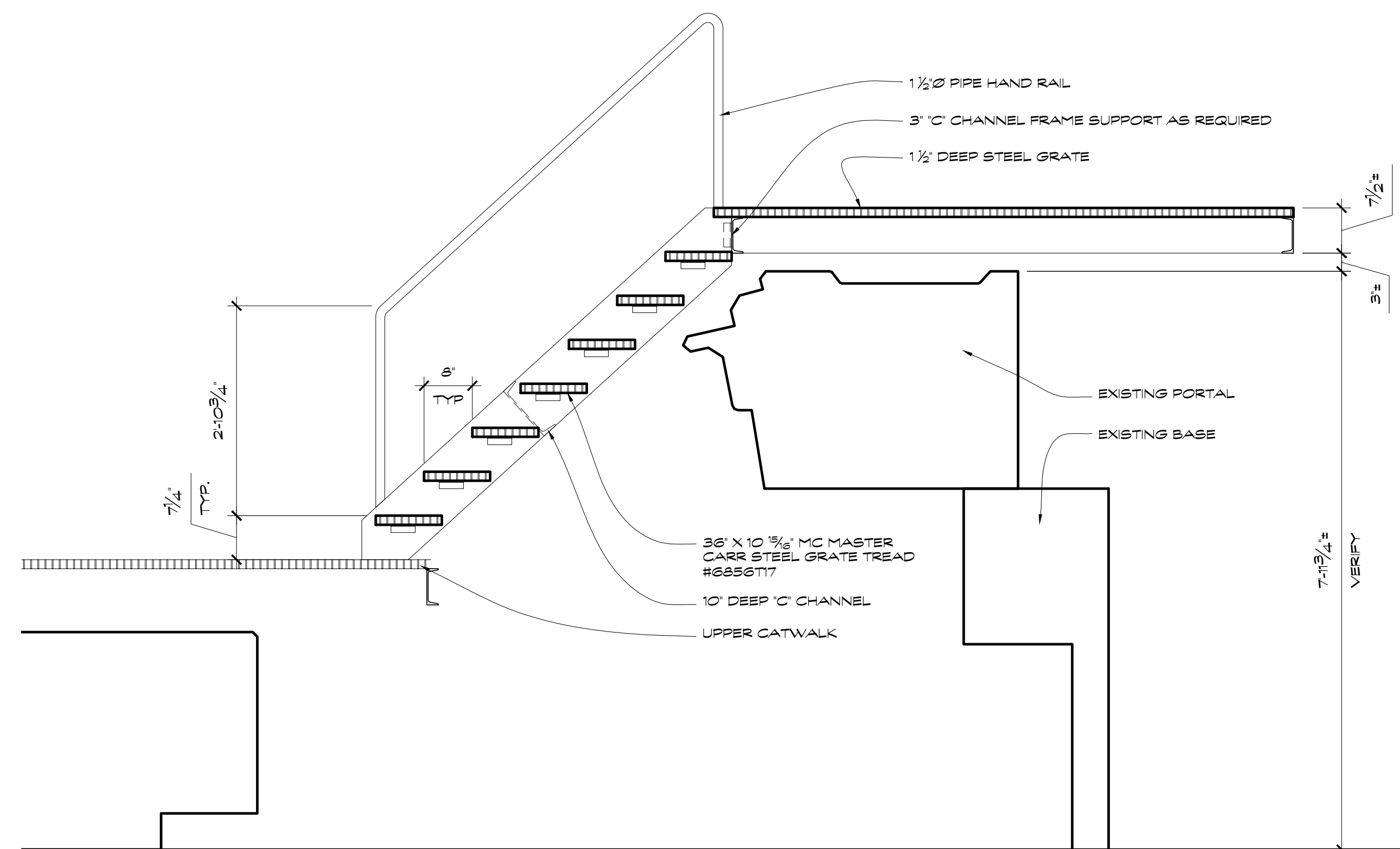


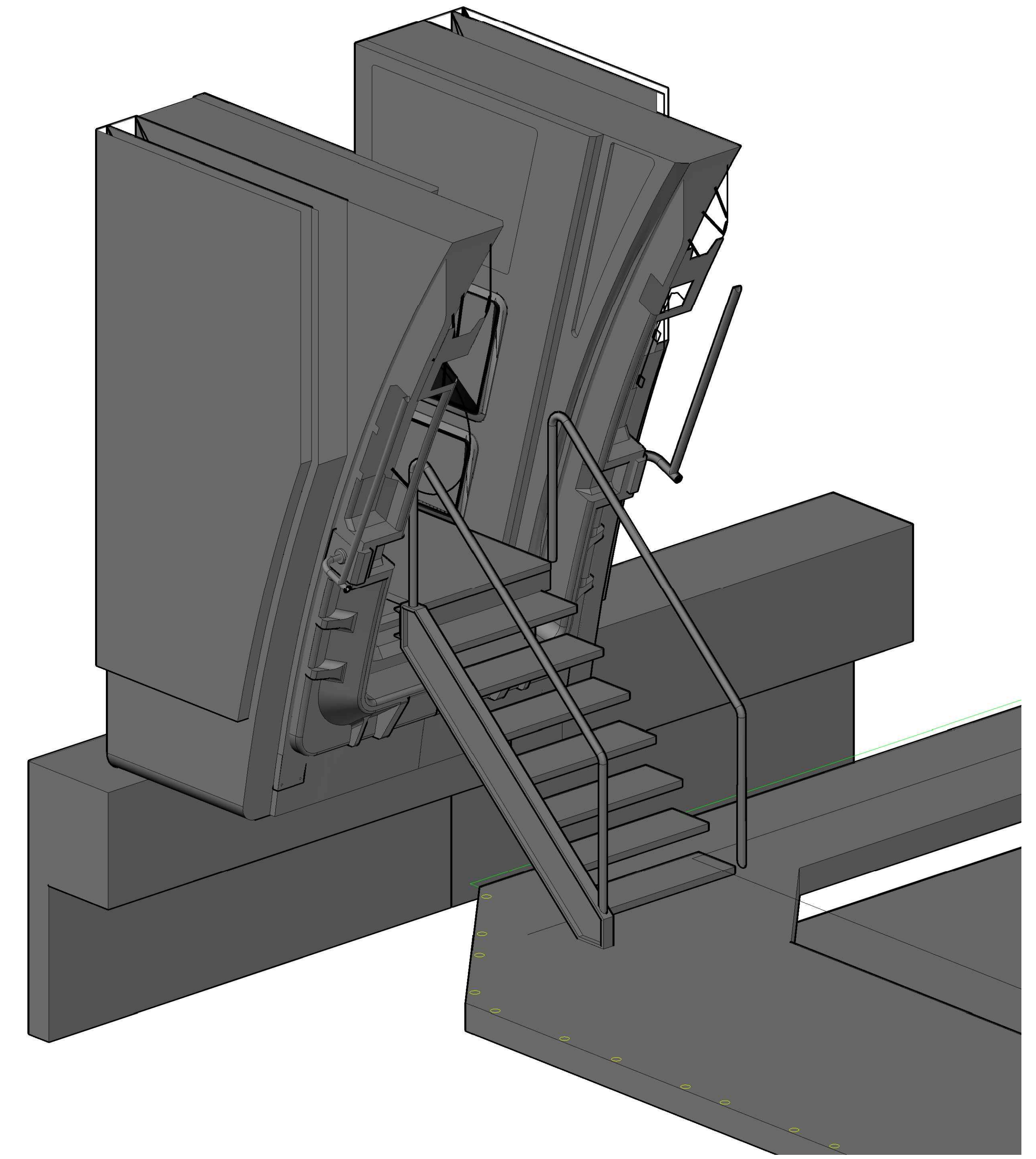
RAVAGER SHIP STEEL STAIR PLAN
Scale: 3/4" = 1'-0"

1



RAVAGER SHIP STEEL STAIR SECTION
Scale: 3/4" = 1'-0"

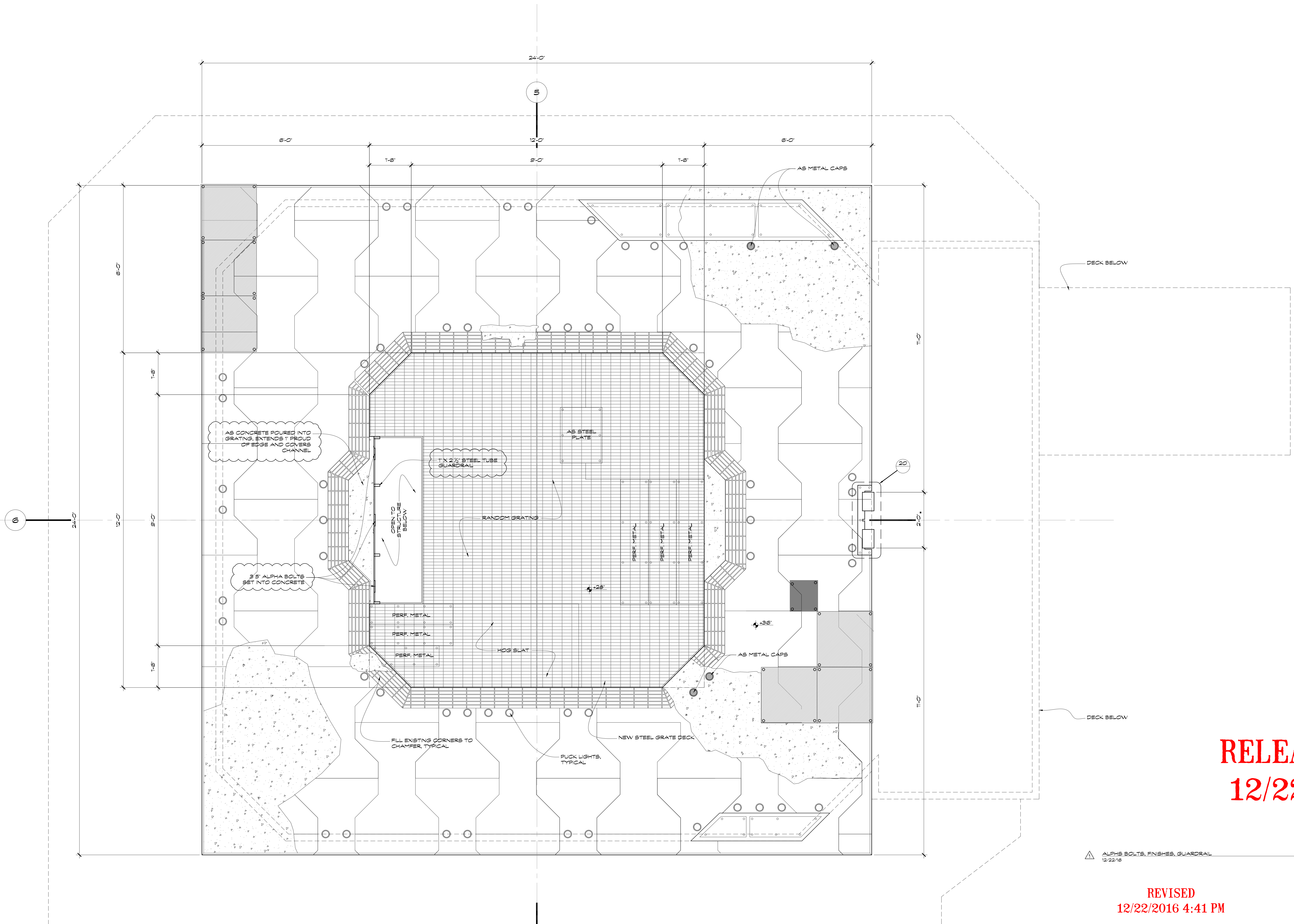
2



RELEASED
12/22/16

			DIRECTOR: JAMES GUNN EXEC PRODUCER: MIK KGRDA PROD. DESIGNER: SCOTT CHAMBLISS ADDTL PHOTOGRAPHY PROD. DESIGNER: RAMSEY AVERY	RELEASE DATE: SET NO. / SHEET NO. 1060
	SET TITLE: RAVAGER SHIP STEEL STAIR SHEET TITLE: PLAN			DATE REVISED: 12/16/16
DIGITAL FILE NAME: 1060_RAVAGER_SHIP_STEEL_STAIR_RELEASED.DWG	LOCATION: WB Stage 14	DRAWN BY: Jeff Beck	ART DIRECTOR:	SCALE: 3/4" = 1'-0"

18



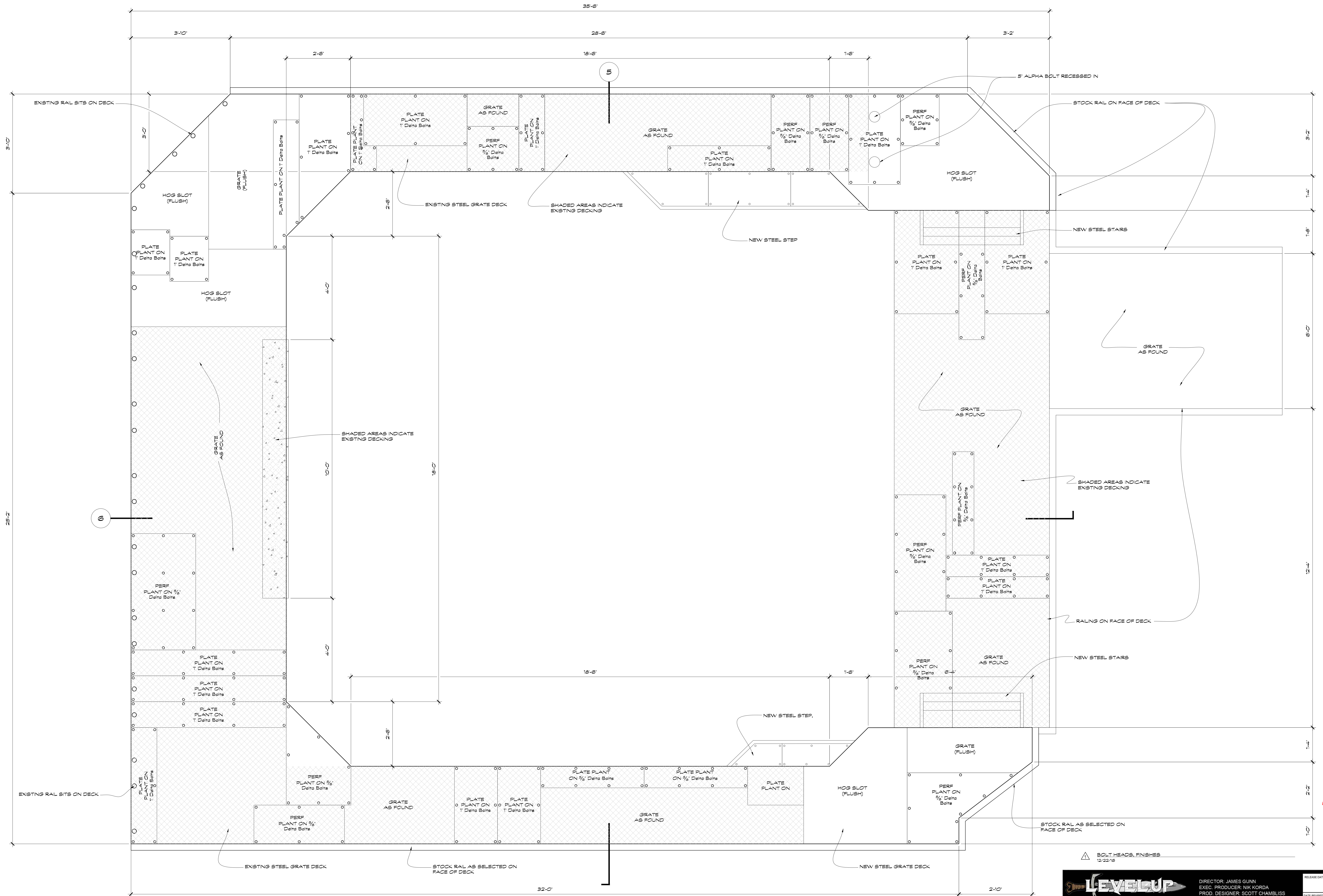
RELEASED
12/22/16

▲ ALPHS BOLTS, FINISHES, GUARDRAIL
12/22/16

REVISED
12/22/2016 4:41 PM

RAVAGER SHIP DECK PLAN
Scale: 3/4" = 1'-0"

			DIRECTOR: JAMES GUNN EXEC. PRODUCER: MIK KGRDA PROD. DESIGNER: SCOTT CHAMBLISS ADOTL PHOTOGRAPHY PROD. DESIGNER: RAMSEY AVERY	RELEASE DATE: SET NO. / SHEET NO. 1060
	SET TITLE: RAVAGER SHIP DECK SHEET TITLE: PLAN			DATE REVISED:
DIGITAL FILE NAME: 1060_RAVAGER_SHIP_PIT_V3_R1.DWG	DATE DRAWN: 12/16/16	SCALE: 3/4" = 1'-0"	4	
LOCATION: WB Stage 14	DRAWN BY: Jeff Beck	ART DIRECTOR:		

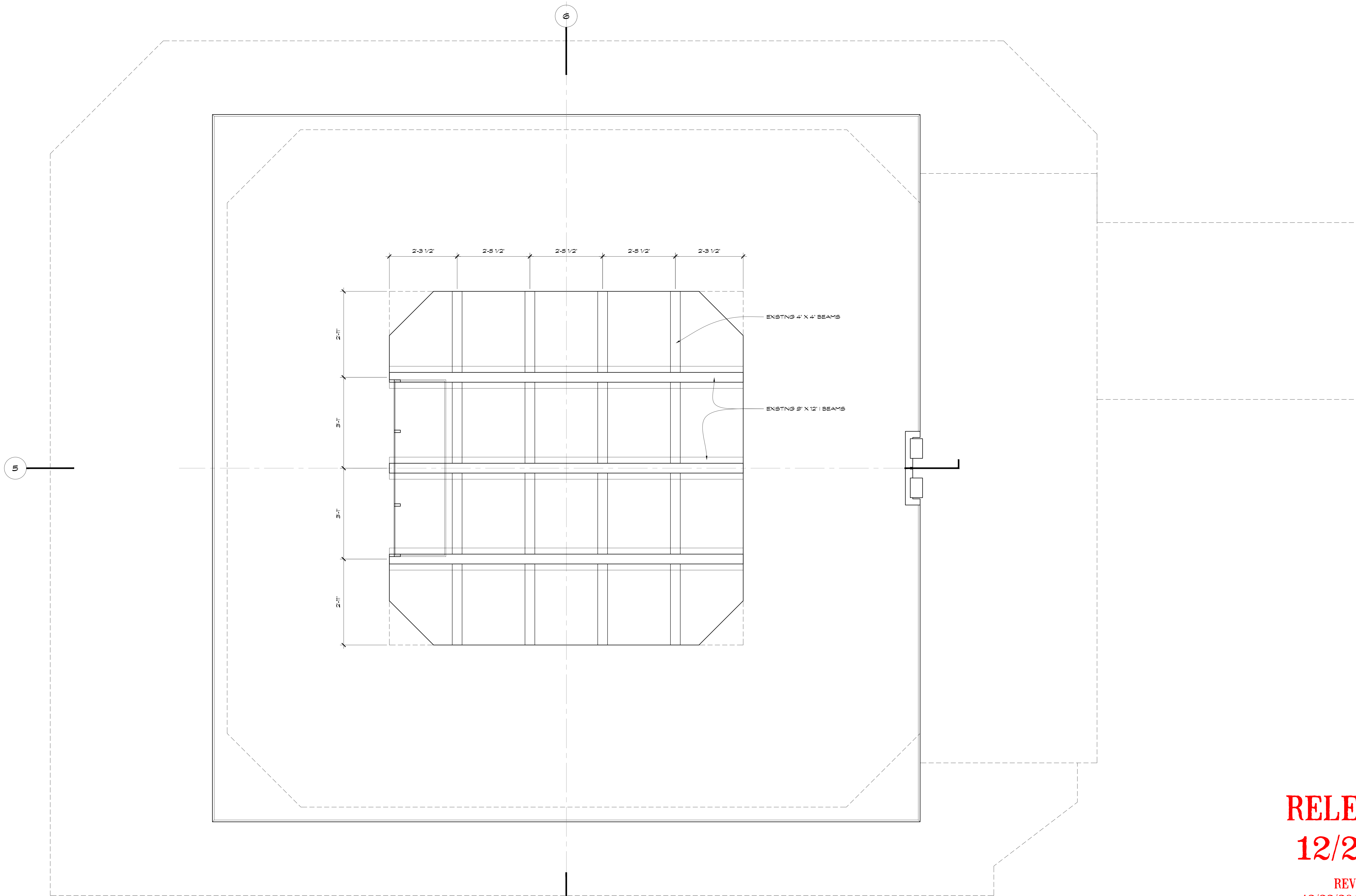


RAVAGER SHIP UPPER GRATING PLAN
Scale: 3/4" = 1'-0"

REVISED
12/22/2016 4:44 PM

		DIRECTOR: JAMES GUNN EXEC. PRODUCER: MIK KRADA PROD. DESIGNER: SCOTT CHAMBLISS ADDTL. PHOTOGRAPHY PROD. DESIGNER: RAMSEY AVERY	
SET TITLE: RAVAGER SHIP DECK	DATE DWN: 12/16/16	RELEASE DATE: 12/22/16	SET NO. / SHEET NO. 1060
SHEET TITLE: PLAN	SCALE: 3/4" = 1'-0"	<div style="font-size: 2em; font-weight: bold; text-align: center;">4.1</div>	
SDMM 	LOCATION: WB Stage 14	DRAWN BY: Jeff Beck	ART DIRECTOR:

RELEASED
12/22/16

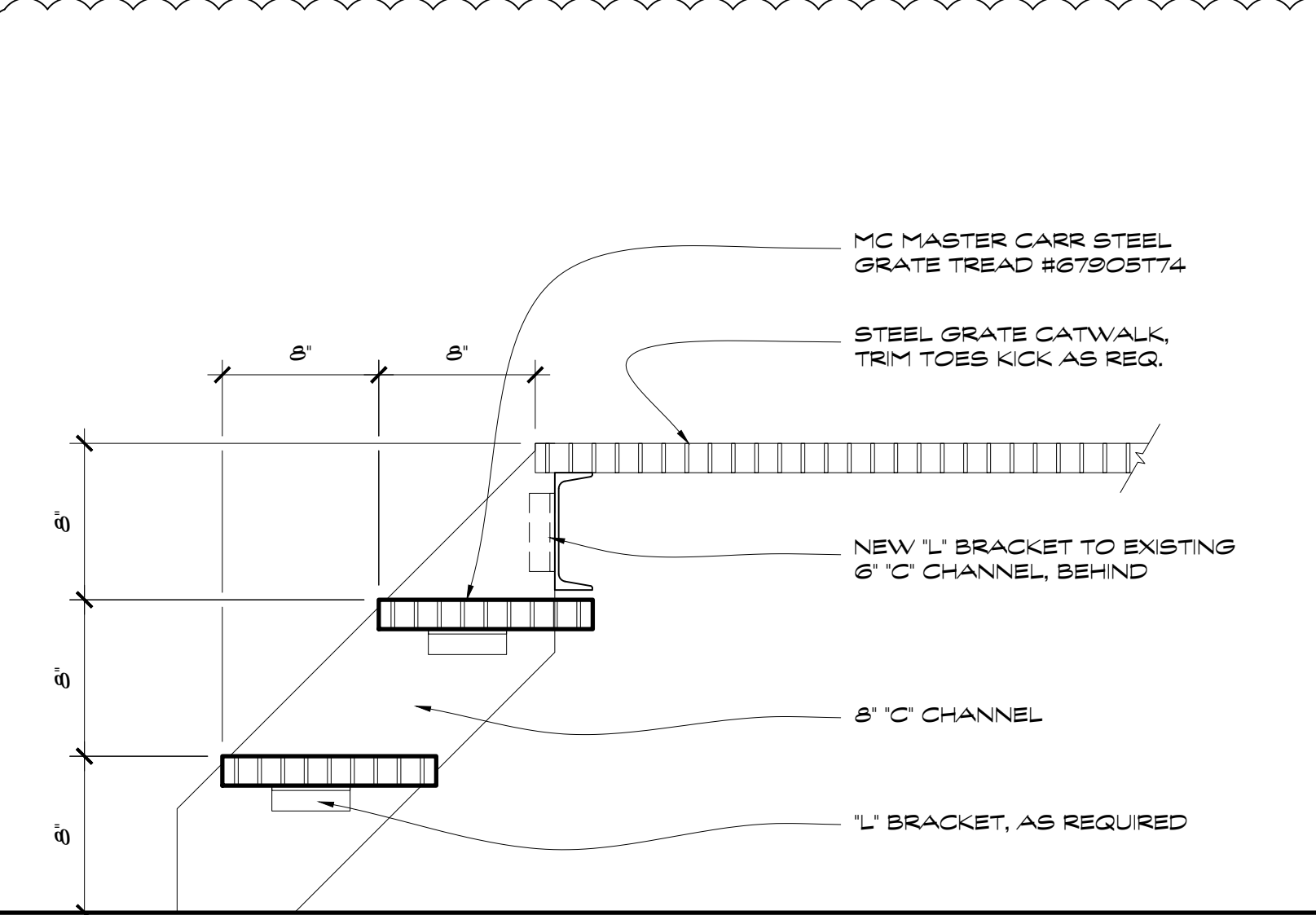


RAVAGER SHIP DECK STRUCTURAL PLAN
Scale: 3/4" = 1'-0"

RELEASED
12/22/16
REVISED
12/22/2016 4:44 PM

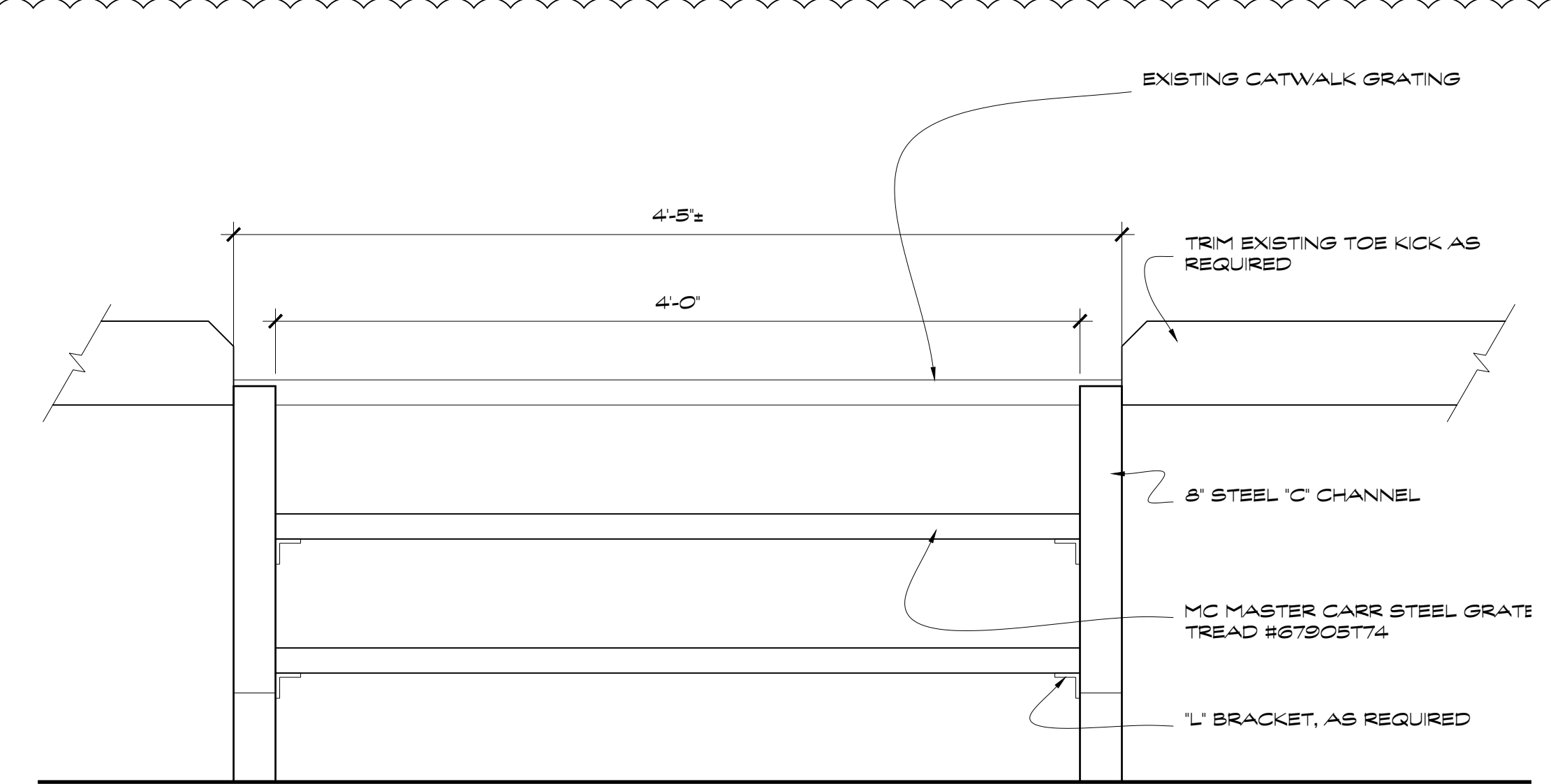
		DIRECTOR: JAMES GUNN EXEC PRODUCER: MIK KORDA PROD. DESIGNER: SCOTT CHAMBLISS ADOTL PHOTOGRAPHY PROD. DESIGNER: RAMSEY AVERY	RELEASE DATE: SET NO. / SHEET NO. 1060
	SET TITLE: RAVAGER SHIP DECK	SHEET TITLE: STRUCTURAL PLAN	DATE DRAWN: 12/16/16
DIGITAL FILE NAME: 1060_Ravager_Ship_Pit_V3.dwg	LOCATION: WB Stage 14	DRAWN BY: Jeff Beck	ART DIRECTOR:

4.2



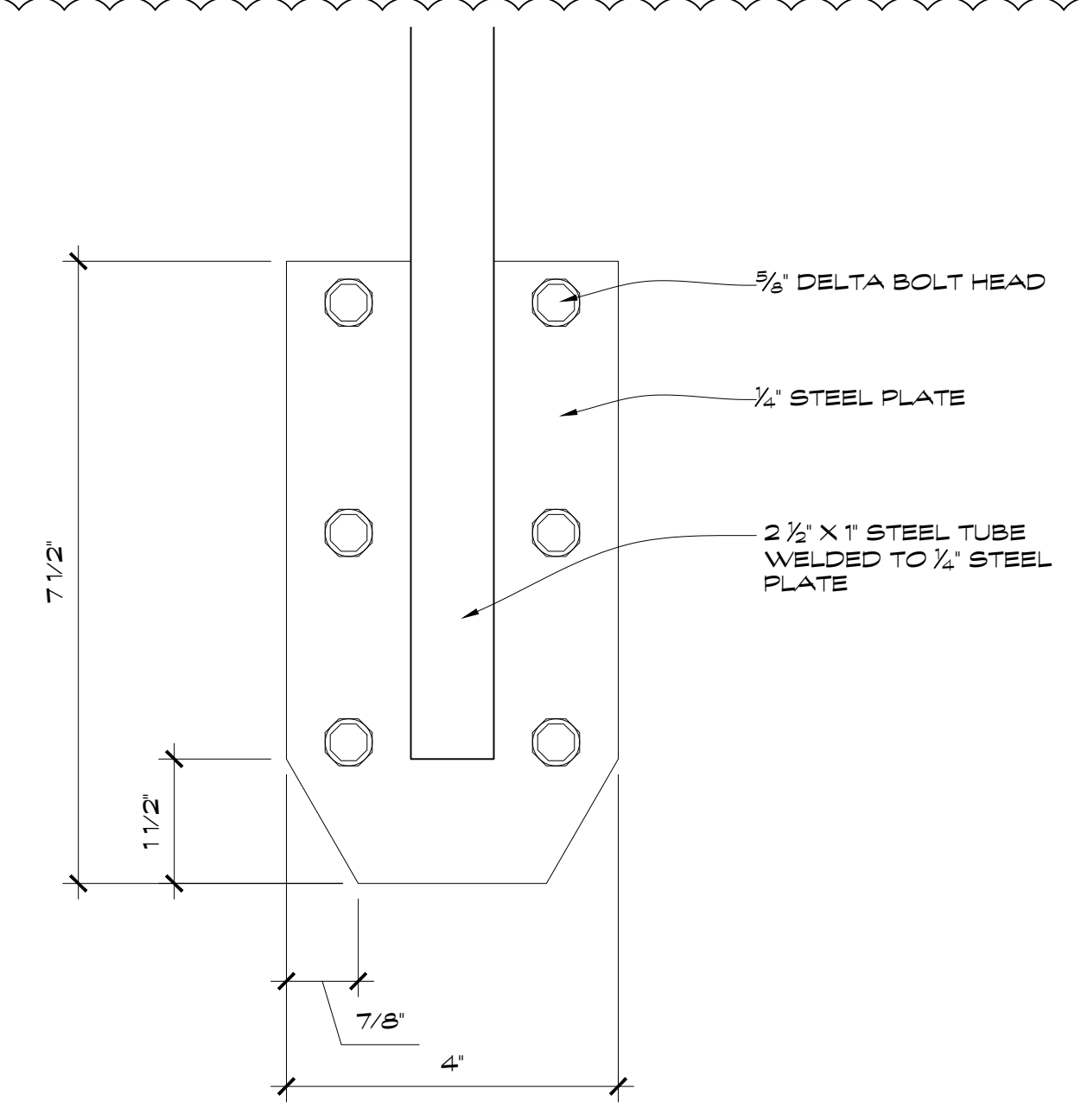
RAVAGER SHIP STAIR SECTION
Scale: 1/2" = 1'-0"

11



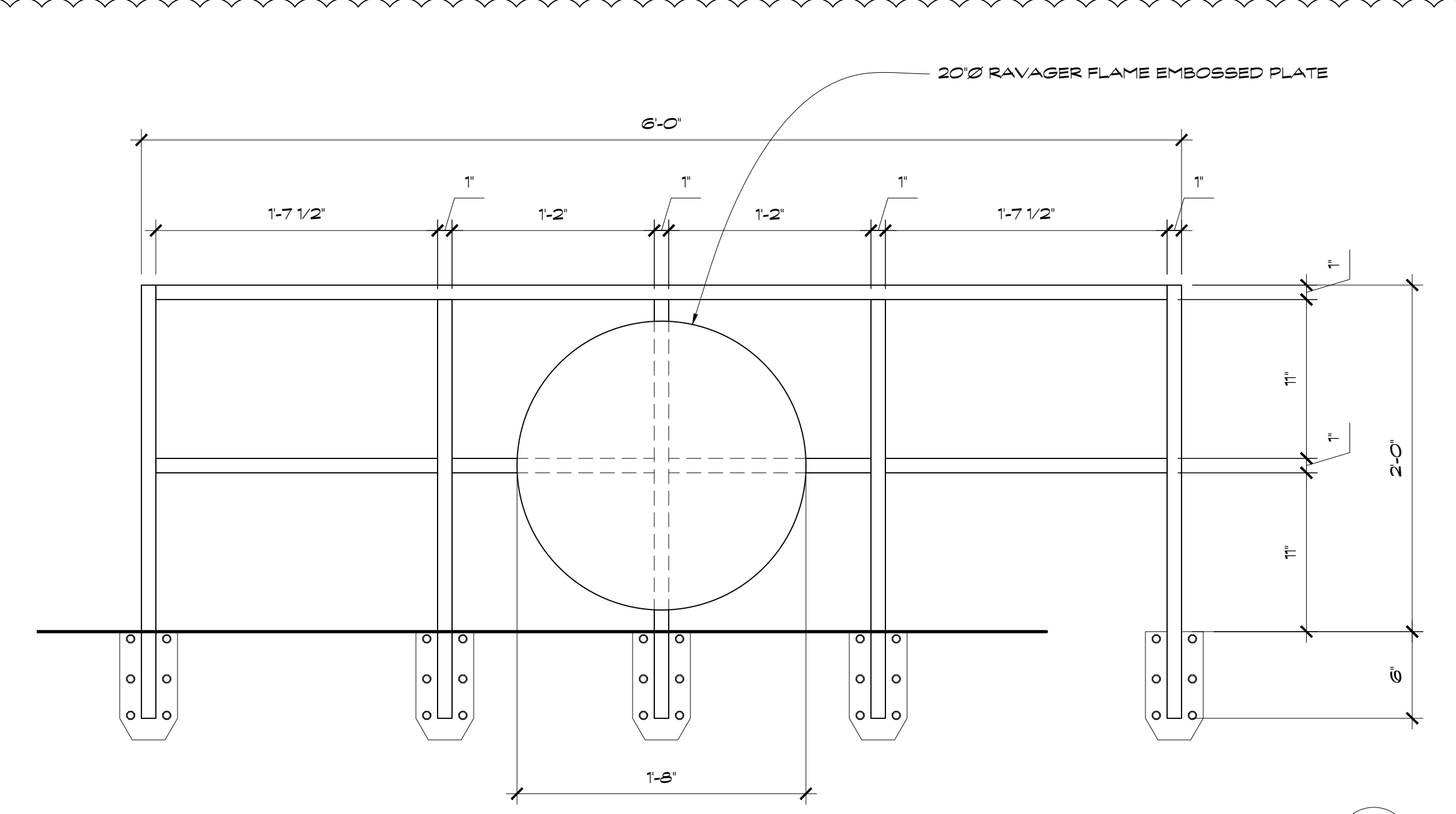
RAVAGER SHIP STAIR ELEVATION
Scale: 1/2" = 1'-0"

12



GUARDRAIL BRACKET DETAIL
Scale: 1/2" = 1'-0"

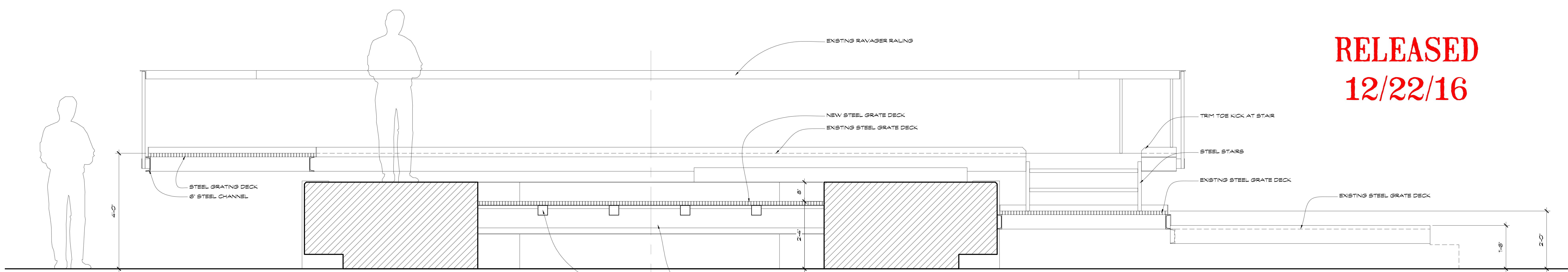
13



RAVAGER SHIP GUARDRAIL BRACKET DETAIL
Scale: 6" = 1'-0"

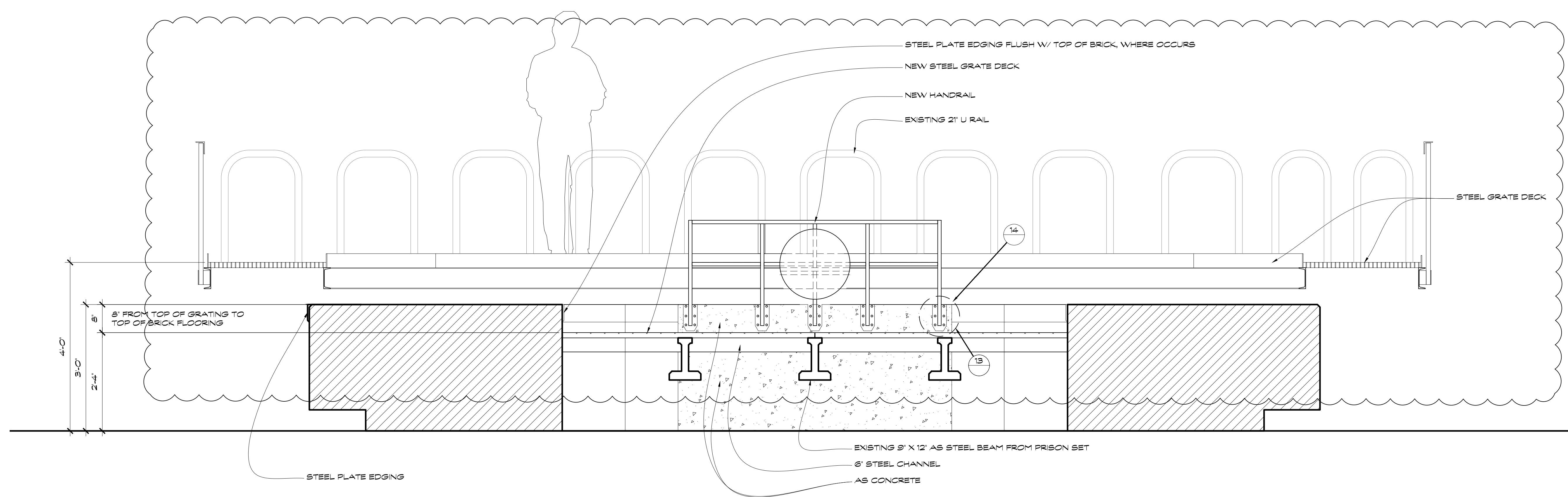
14

RELEASED
12/22/16



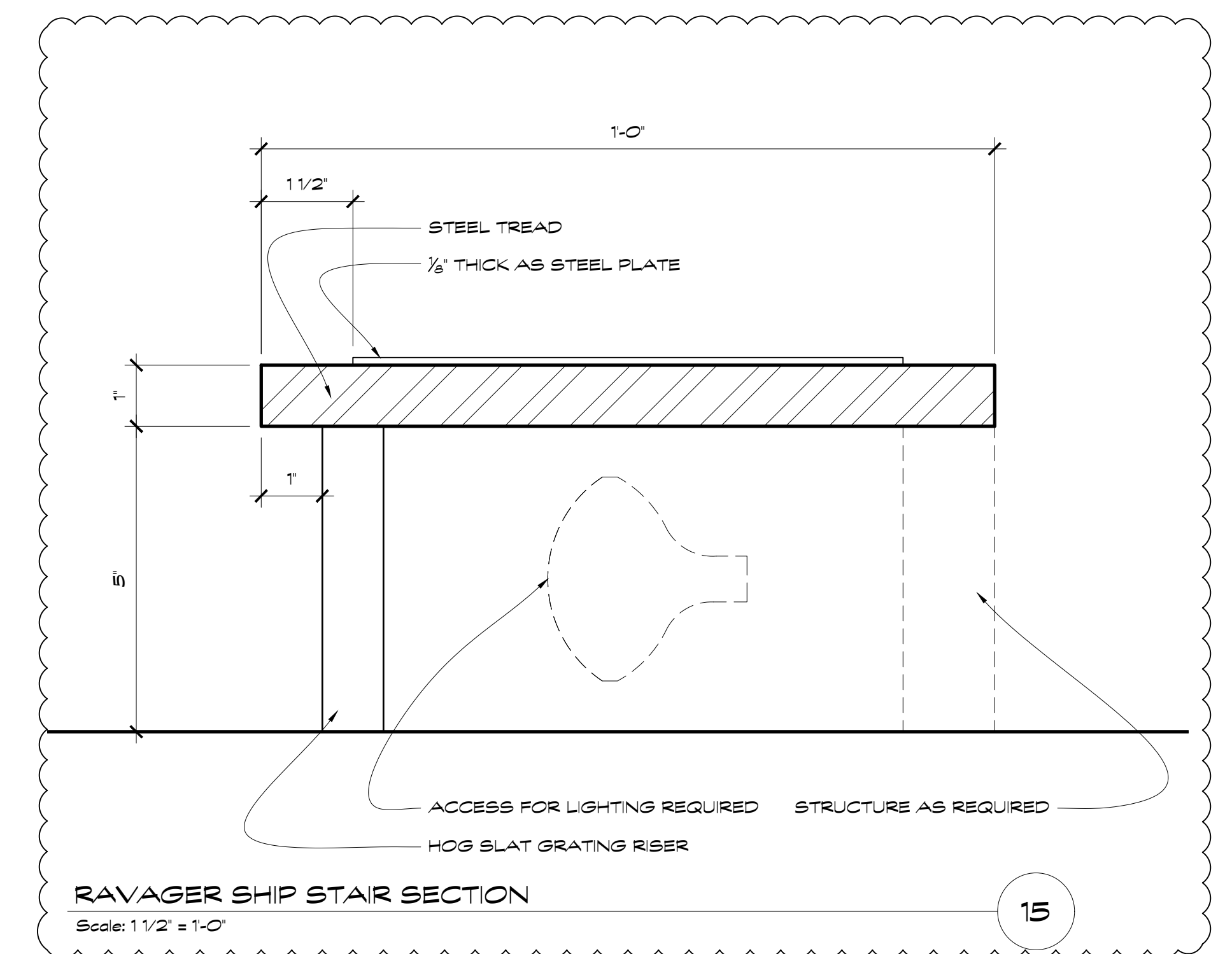
RAVAGER SHIP PIT SECTION
Scale: 3/4" = 1'-0"

6



RAVAGER SHIP PIT SECTION
Scale: 3/4" = 1'-0"

5



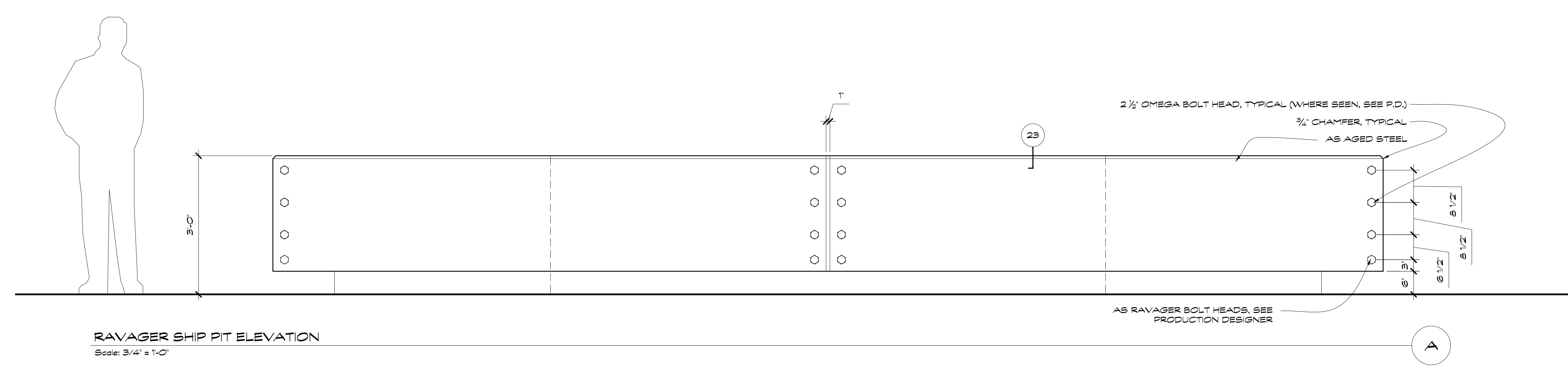
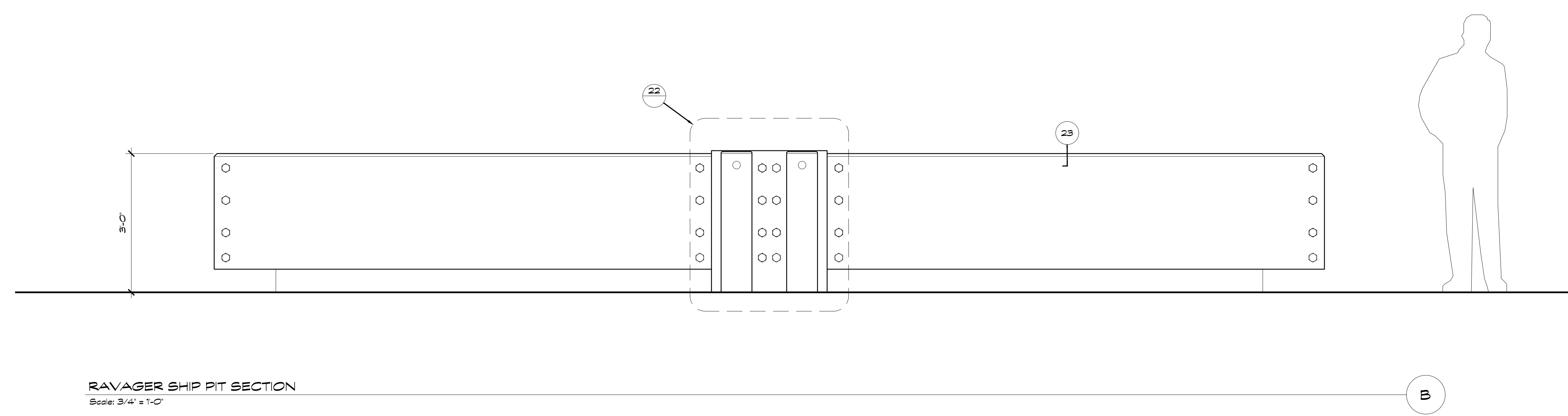
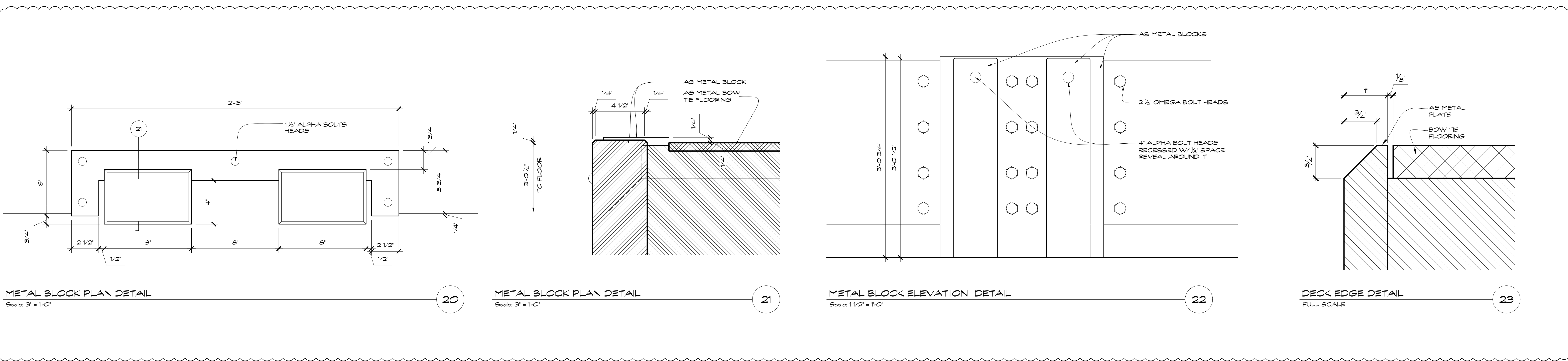
RAVAGER SHIP STAIR SECTION
Scale: 1/2" = 1'-0"

15

REVISED
12/14/2016 3:54 PM

ALPHAS BOLTS, FINISHES, GUARDRAIL, BRACKETS, STEEL STEP & STAIRS
12/22/16

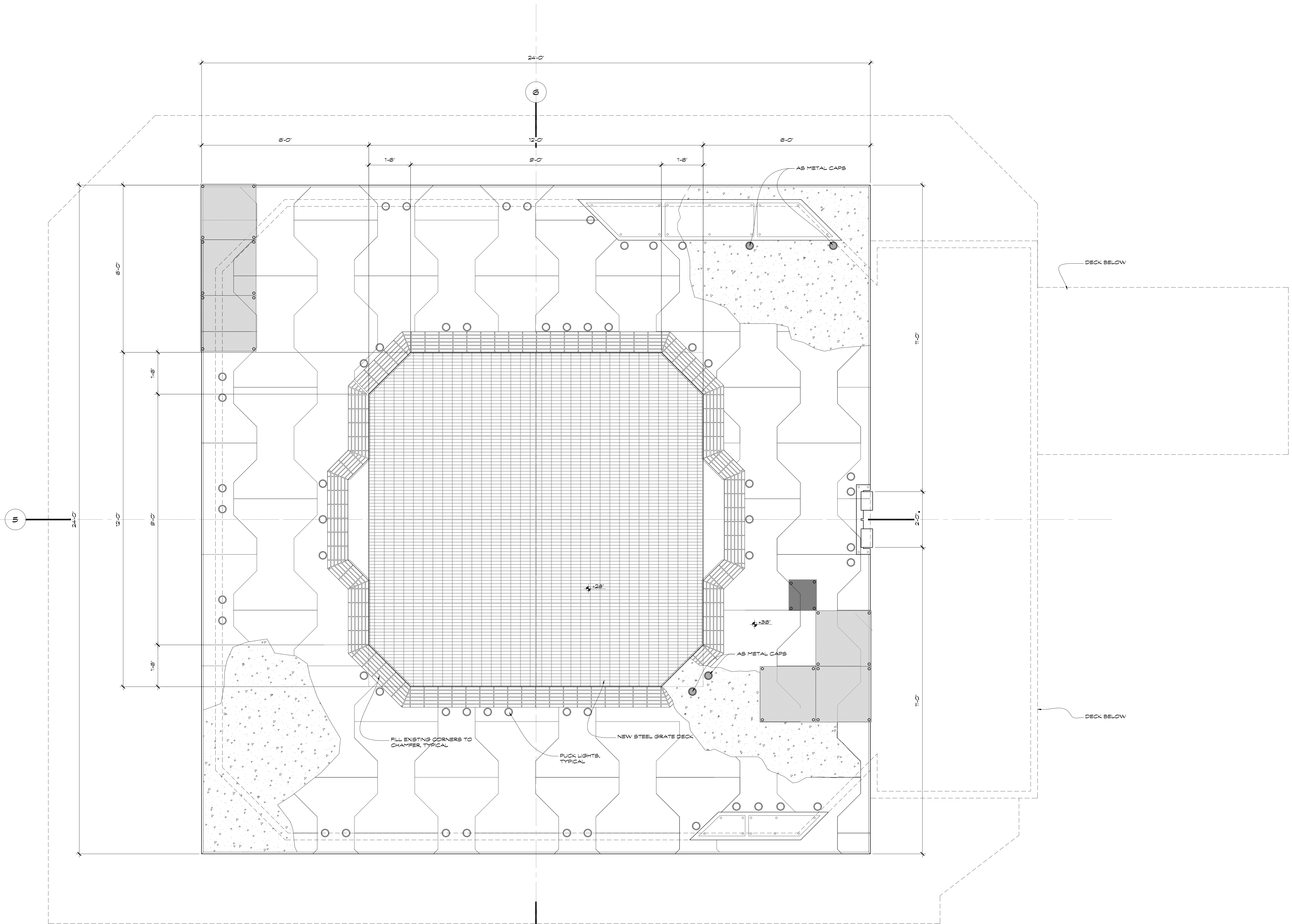
		DIRECTOR: JAMES GUNN EXEC. PRODUCER: MIK KRADA PROD. DESIGNER: SCOTT CHAMBLISS ADDTL. PHOTOGRAPHY PROD. DESIGNER: RAMSEY AVERY	RELEASE DATE: 12/16/16	SET NO. / SHEET NO. 1060 / 5
	SET TITLE: RAVAGER SHIP DECK	SHEET TITLE: SECTIONS 5 & 6	DATE DRAWN: 12/16/16	SCALE: 3/4" = 1'-0"
DIGITAL FILE NAME: 1060_Ravager_Ship_Pit_V3.dwg	LOCATION: WB Stage 14	DRAWN BY: Jeff Beck	ART DIRECTOR:	



△ METAL BLOCK, REMOVE ROUTER GROOVE
12/22/16

RELEASED
12/22/16

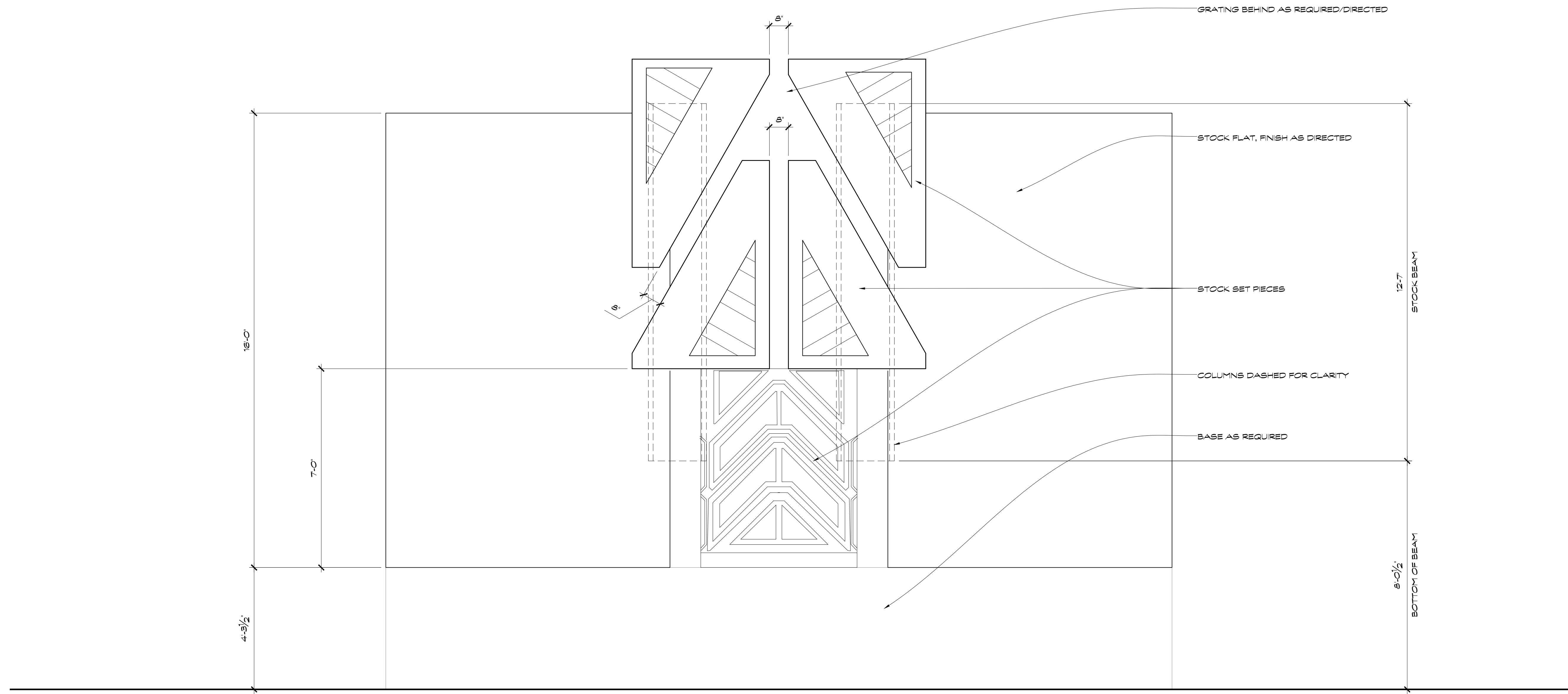
		DIRECTOR: JAMES GUNN EXEC. PRODUCER: MIK KRGA PROD. DESIGNER: SCOTT CHAMBLISS ADOTL PHOTOGRAPHY PROD. DESIGNER: RAMSEY AVERY	RELEASE DATE: 12/22/16	SET NO. / SHEET NO. 1080 / 08
	SHEET TITLE: INT RAVAGER SHIP SECTIONS A & B		DATE DRAWN: 12/10/16	SCALE: 3/4" = 1'-0"
DIGITAL FILE NAME: 1080_RAVAGER_SHIP_PIT		LOCATION: WB STAGE 14	DRAWN BY: JEFF BECK	



RAVAGER SHIP DECK PLAN
Scale: 3/4" = 1'-0"

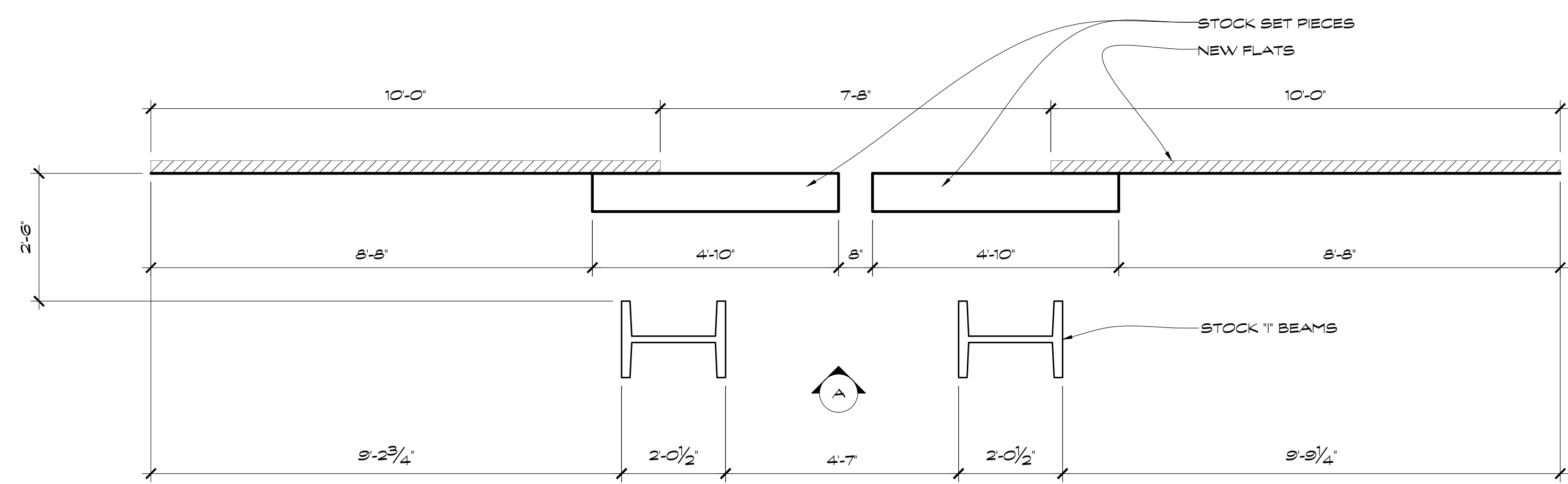
1

			DIRECTOR: JAMES GUNN EXEC PRODUCER: MIK KRADA PROD. DESIGNER: SCOTT CHAMBLISS ADOTL PHOTOGRAPHY PROD. DESIGNER: RAMSEY AVERY	RELEASE DATE: SET NO. / SHEET NO. 1060
	SET TITLE: RAVAGER SHIP DECK SHEET TITLE: PLAN			DATE REVISED:
DIGITAL FILE NAME: 1060_Ravager_Ship_Plr_V3.dwg	DATE DRAWN: 12/16/16	SCALE: 3/4" = 1'-0"		
LOCATION: WB Stage 14	DRAWN BY: Jeff Beck	ART DIRECTOR:	<p style="text-align: center; font-size: 2em; font-weight: bold;">4</p>	



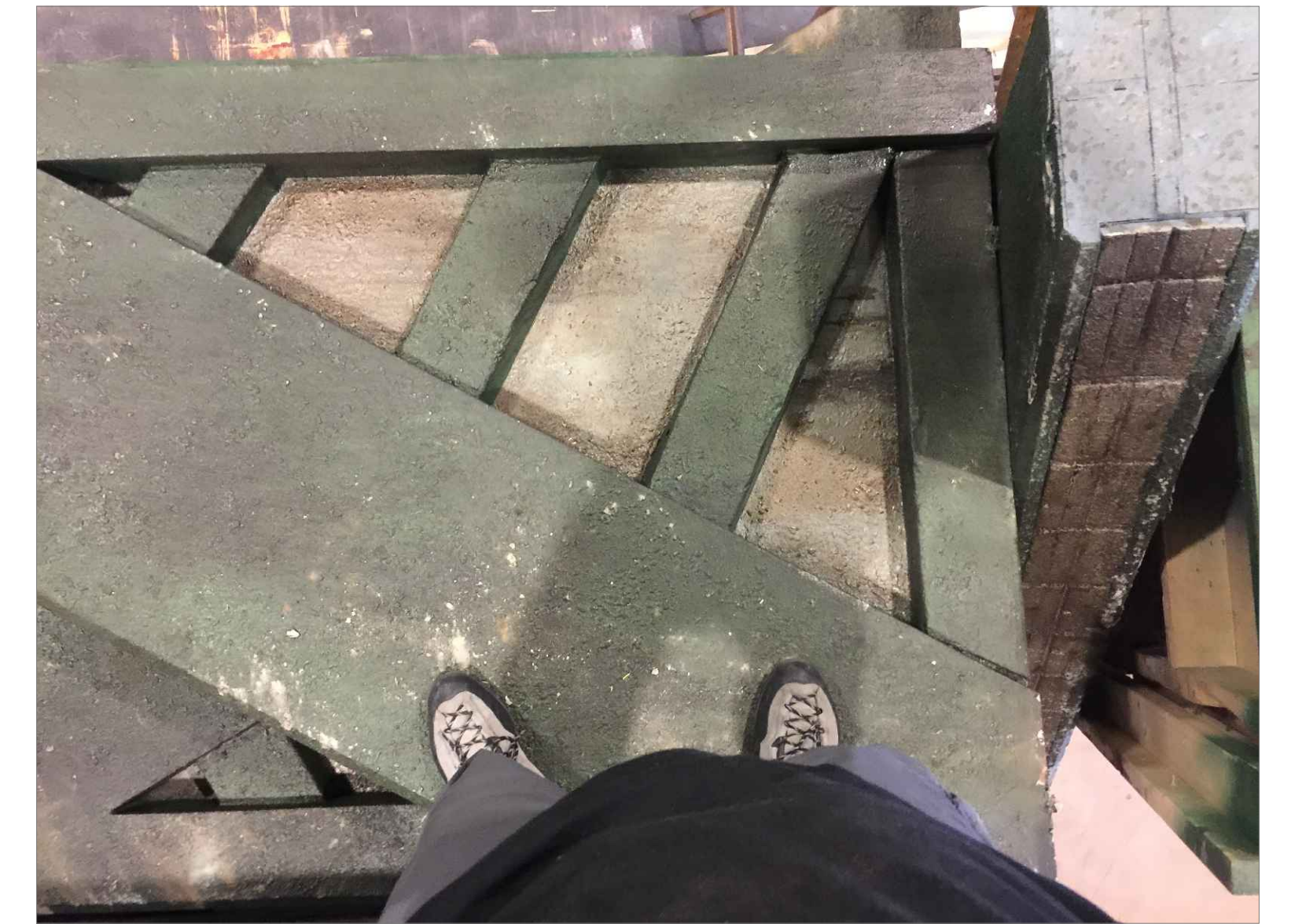
RAVAGER SHIP BACKING WALL ELEVATION
Scale: 1/2" = 1'-0"

A



BACKING WALL PLAN
Scale: 1/2" = 1'-0"

1



RELEASED
12/23/16

LEVELUP		DIRECTOR: JAMES GUNN EXEC PRODUCER: MIK KRGA PROD. DESIGNER: SCOTT CHAMBLISS ADDTL PHOTOGRAPHY PROD. DESIGNER: RAMSEY AVERY		RELEASE DATE:	SET NO. / SHEET NO.
SET TITLE: RAVAGER SHIP BACKING WALL		DATE REVISED:		1080	
SHEET TITLE: PLAN & ELEVATION		DATE DRAWN:		19	
DIGITAL FILE NAME: 1080_Ravager_Ship_Backlg_Wall_1.dwg		SCALE:		1/2" = 1'-0"	
LOCATION: WB Stage 14	DRAWN BY: Jeff Beck	ART DIRECTOR:			